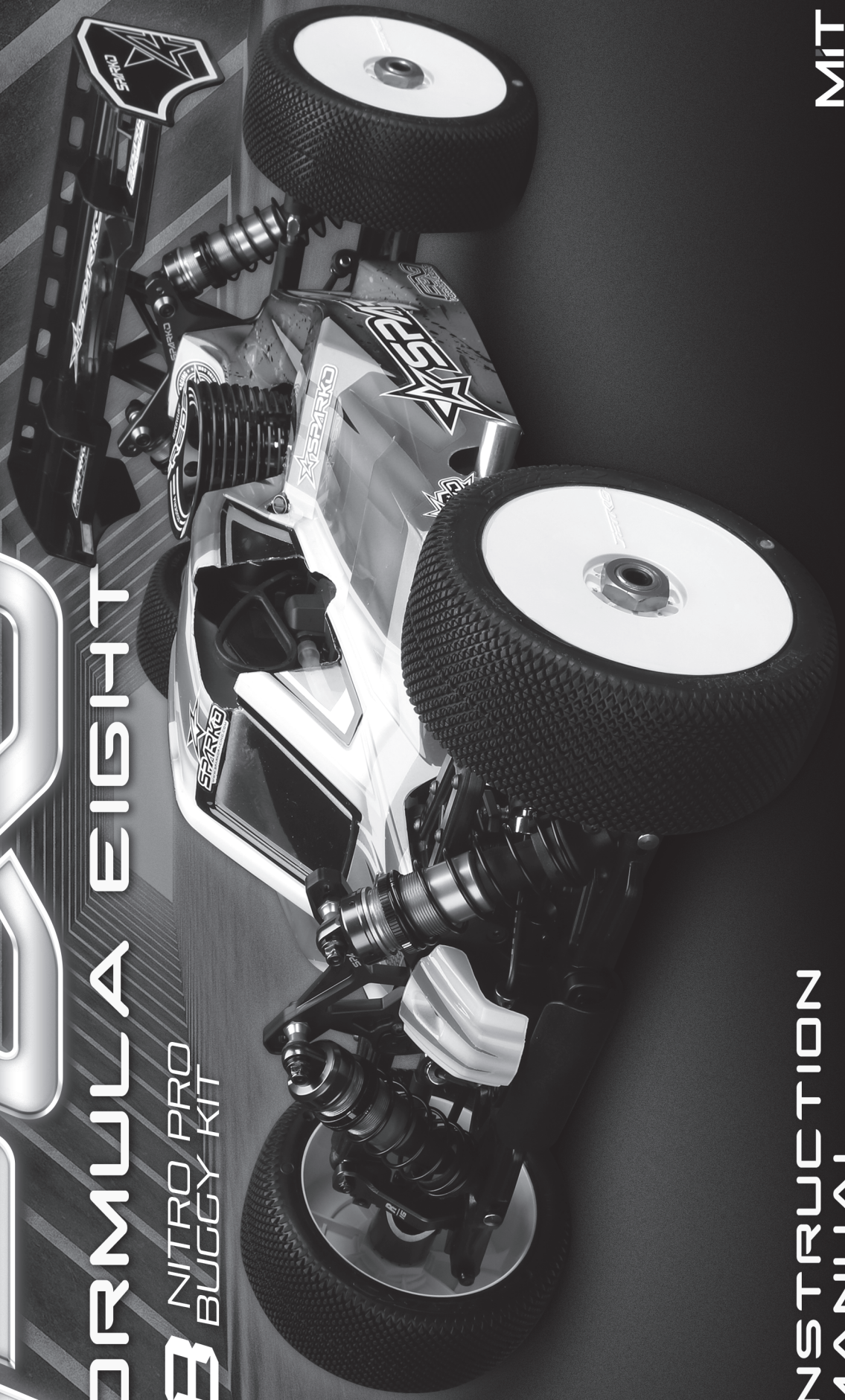


1/8

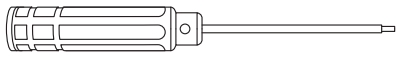
FORMULA EIGHT

1/8 NITRO PRO
BUGGY-KIT

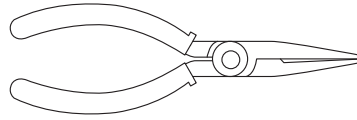


INSTRUCTION
MANUAL

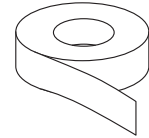
TOOLS / MISCELLANEOUS (NOT INCLUDED)



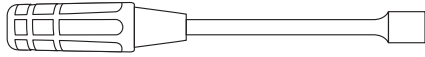
Hex Wrenches(1.5mm / 2.0mm / 2.5mm)



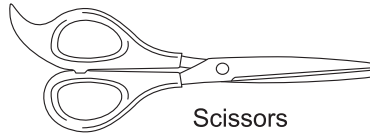
Needle Nose Pliers



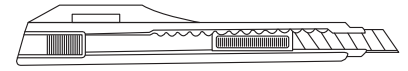
Glass or Vinyl Tape



Box Wrench(5.5mm / 7mm / 10mm)



Scissors



Hobby Knife

OPERATION GUIDE



Assemble both left
and right sides



Assemble
Front and Rear



Assemble
for 2 sets



Thread Lock



Grease



Pure Silicone Oil

SAFETY PRECAUTIONS

The SPARKO F8 is a high performance radio control model which needs to be operated with caution and common sense.

The F8 Kit is not intended for children under the age of 14 without adult supervision.

SPARKO shall not be held liable for any loss or damages, whether direct, indirect, act of nature, arising from the abuse or misuse of this product or any other product required while operating this model.

- The nitro fuel can be dangerous if improperly handled.
- Always keep your nitro fuel in a cool area and never use near flame, sparks, or while smoking.
- Keep your nitro fuel, and all other flammables, out of the reach of children.
- Always run your model in a well ventilated area outdoors. Never run your model indoors.
- After running your car, all parts of the engine and exhaust can become extremely hot. Be careful not to touch these parts especially when refueling, or making repairs.
- This model is controlled by your radio controller and is sometimes vulnerable to interference from many outside sources. This interference can cause a loss of control so it is necessary to operate this model in an open area to avoid personal, or property damage. Always ensure turning on your radio first.
- Keep all the parts included in the package out of reach of children.
- This model contains many fast rotating parts. Never touch them during operation.
- Follow the instructions included with your radio gear.
- Never operate your model near people or property. The speed of this model has the potential to injure people and or damage property.
- Always use original SPARKO spare parts and option parts.
- Always ensure that the buggy is in proper working condition before use.

INDEX

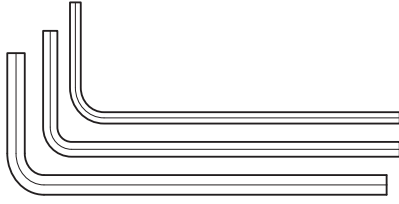
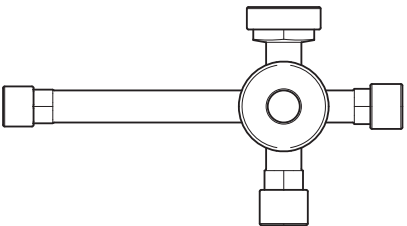
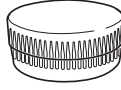
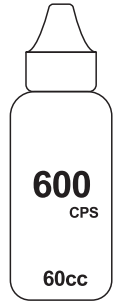


BAG A	Manual, Stickers and Body Shell Parts	1
	Body Shell	31~33
BAG B	Included Items	1
BAG C	Front / Rear and Diff. Sets	2
	Center Differential Set	3
BAG D	Front Gear Box	4
	Rear Gear Box	5
BAG E	Front Lower Arms	5~6
	Front Sway Bar	6~7
BAG F	Front Upper Arms	7~8
BAG G	Front Caster/Steering Blocks	8~9
BAG H	Servo Saver	10
BAG I	Rear Arms	11
	Raer Sway Bar	12~13
BAG J	Rear Hubs / Upper Arm Linkage Sets	13~15
	Tall Wing Mount	15
	Tires	31
BAG K	Center Diff. Mount	16
BAG L	Chassis	17~18
BAG M	Receiver Box	19
BAG N	Steering Linkage Sets	21
	Steering Servo Horn Set	22~23
BAG O	Fuel Tank	23~24
BAG P	Engine	24~25
BAG Q	Throttle Servo Horn Set	26
BAG R	Front / Rear Shocks	27~28
BAG S	Air Filter Set	29
BAG T	Wing	30
FACTORY SETUP SHEET	34
SETUP SHEET	35
F8 EXPLODED VIEW	36~39
SPARE PART LIST	40~41
UNIVERSAL PART LIST	42

BAG A

There are 2 packs for Bag A. One is for parts 1031-L/R and 1031-2/3. Another one is for Manual, Sticker and so on.

		
1023 Antenna Tube Set x 1	SS0303BK Set Screw M3x3mm x 1	SB0308BK Ball Screw M3x8mm x1
		
5001 Body Clip x 2	1031-L/R Up arm wing set x1	1031 Bulkhead Wing x 2
		
9006 Body Shell Window Masks x 1		
		
9004-BK Body Sticker-Black and White	9005-BK Wing Sticker-Black and White	

BAG B

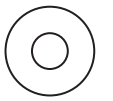
			
1.5mm 2mm 2.5mm			
L Shape Hex wrench	Glow plug wrench		
			
Grease	Air Filter Oil	Air Filter Oil	Air Filter Oil

BAG C

5021
Pin M2.2x9.8mm x 4



2001
Differential O-Rings x 4



WO51230
Differential Shim
5x12x0.3mm x 4



BO081605
Ball Bearing
8x16x5mm x 4



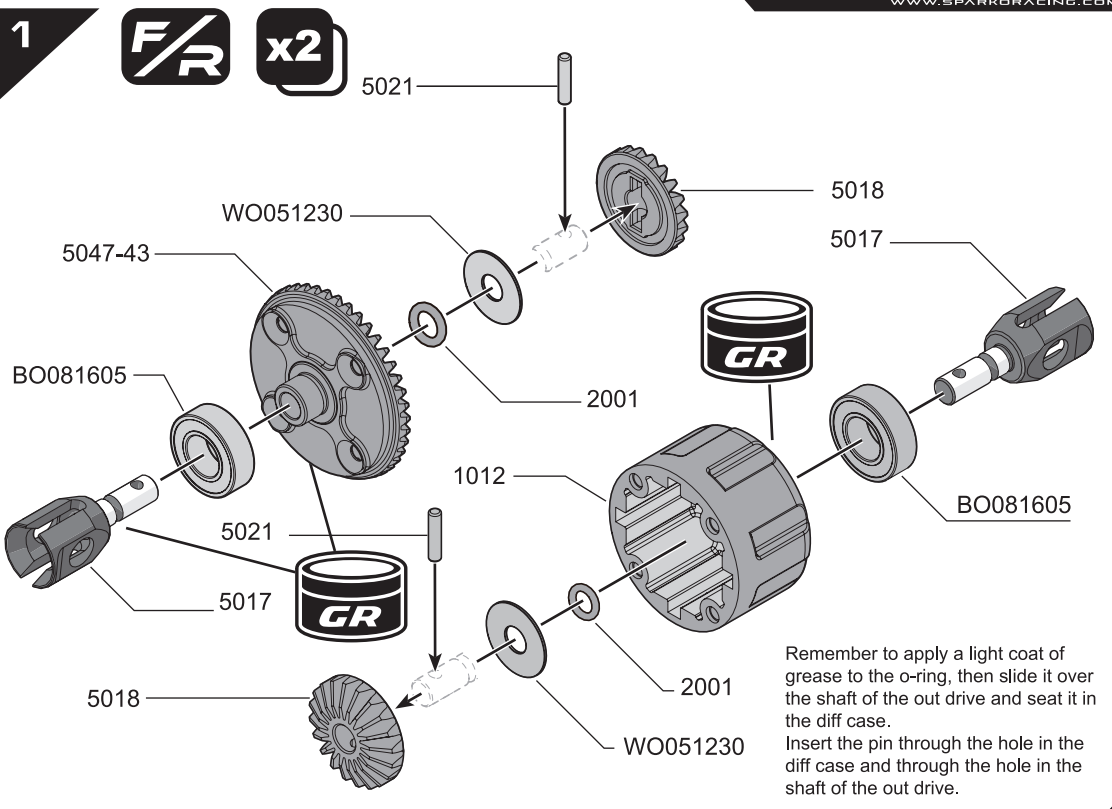
SF0310BK
Flat Screw M3x10mm x 8



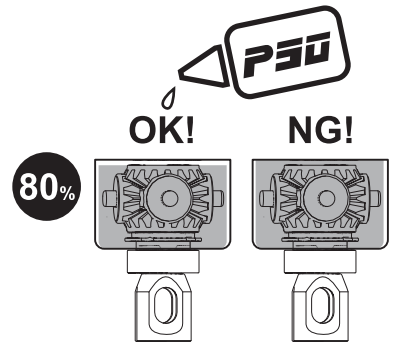
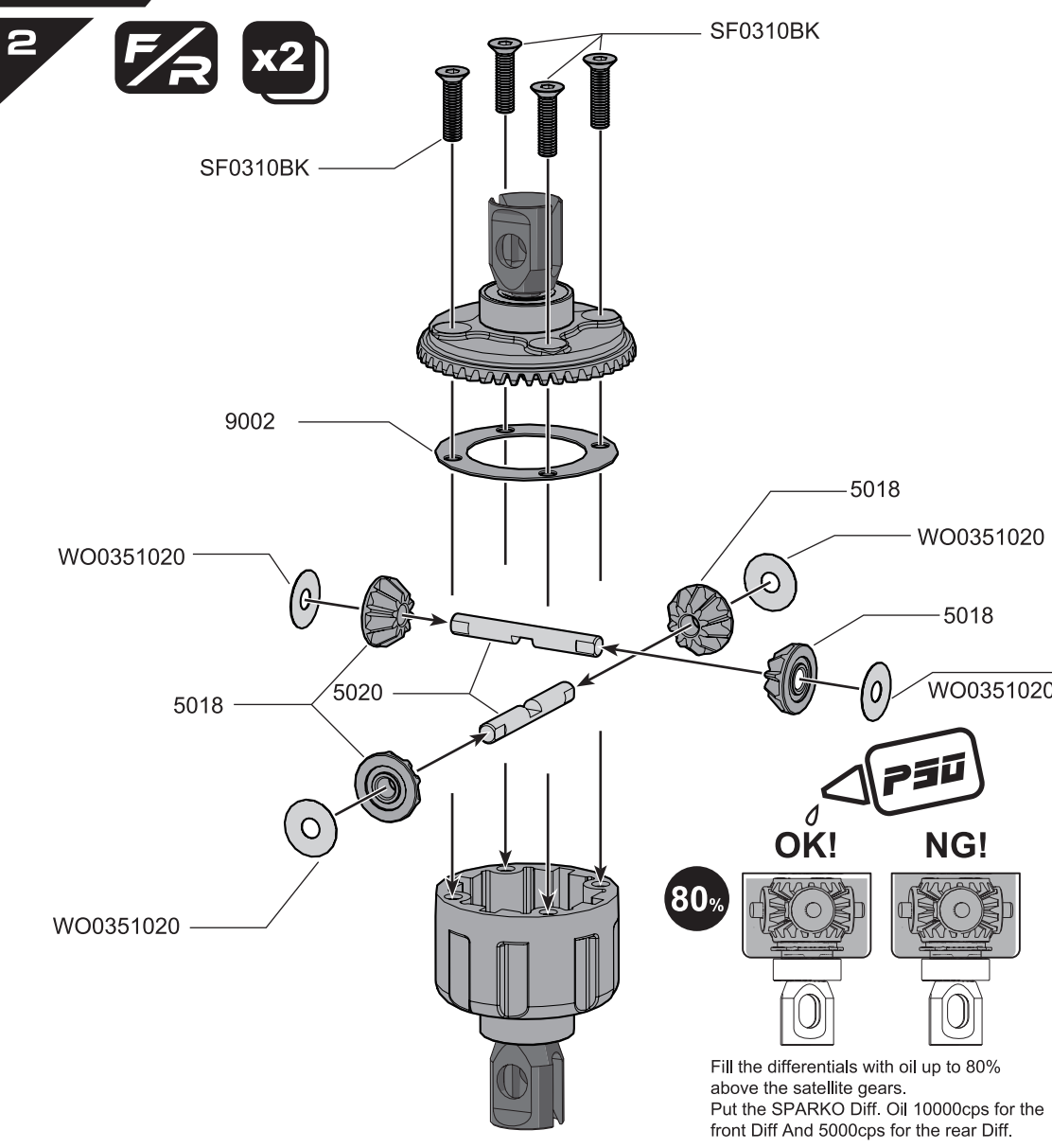
5020
Differential Cross Pins x 4



WO0351020
Differential Shim
3.5x10x0.2mm x 8






Remember to apply a light coat of grease to the o-ring, then slide it over the shaft of the out drive and seat it in the diff case. Insert the pin through the hole in the diff case and through the hole in the shaft of the out drive.

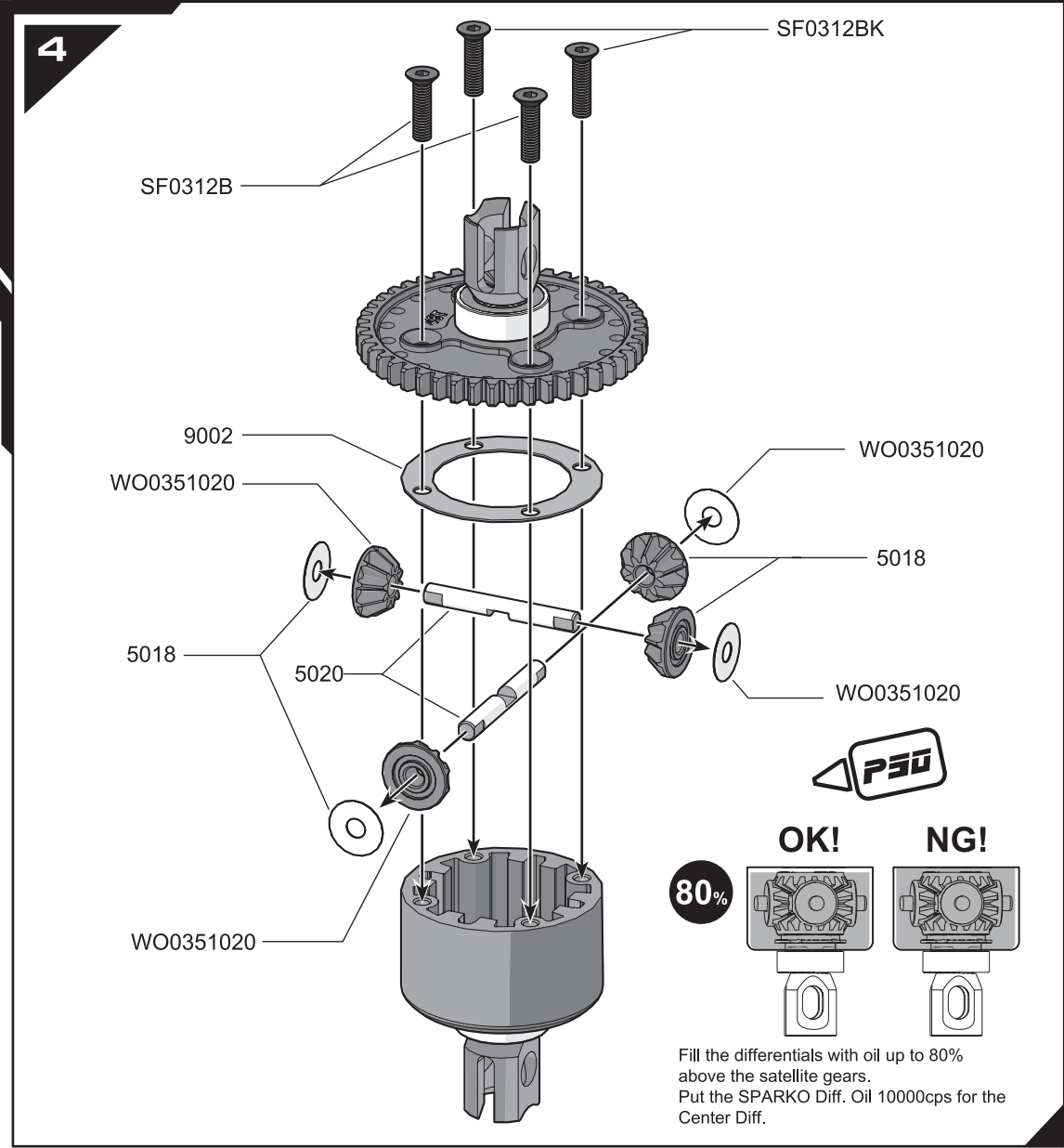
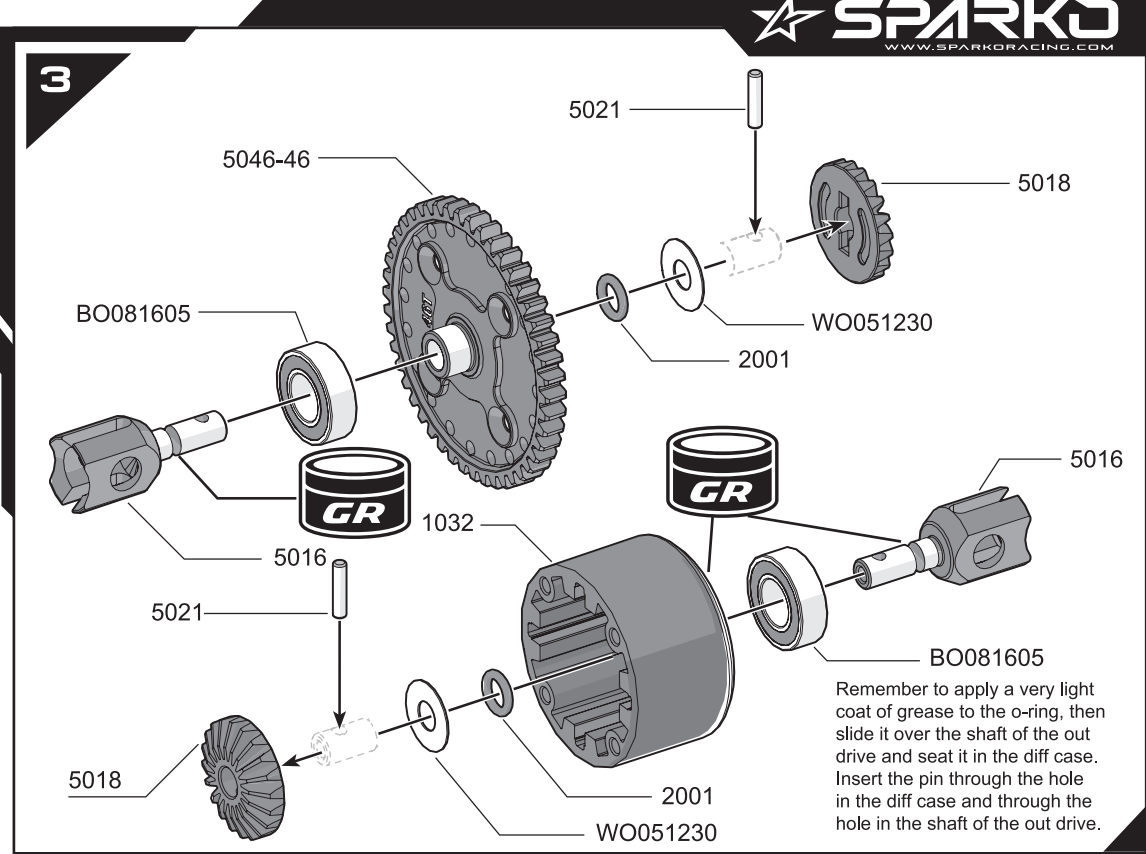


Fill the differentials with oil up to 80% above the satellite gears. Put the SPARKO Diff. Oil 10000cps for the front Diff And 5000cps for the rear Diff.

BAG C

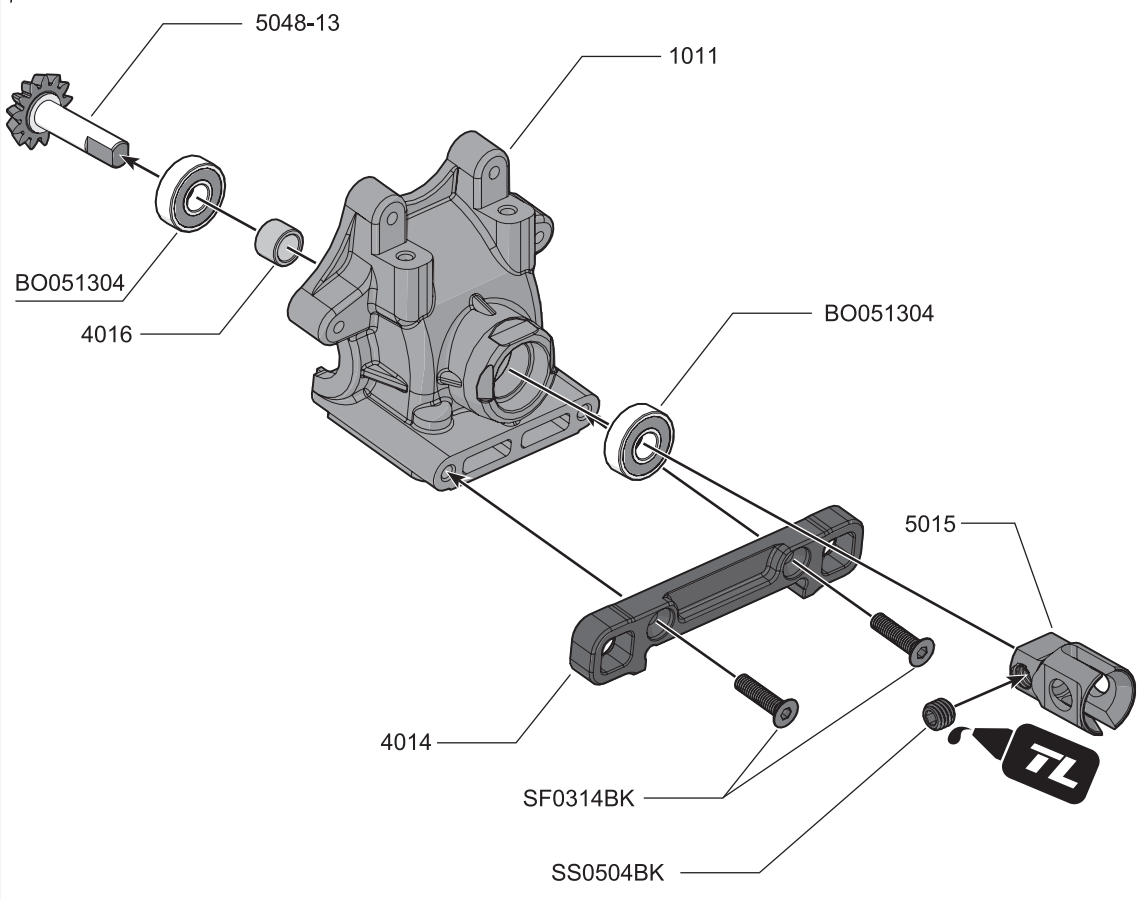
-  5021
Pin M2.2x9.8mm x 2
-  2001
Differential O-Rings x 2
-  BO081605
Ball Bearing 8x16x5mm x 2
-  WO051230
Differential Shim 5x12x0.3mm x 2

-  SF0312BK
Flat Screw M3x12mm x 4
-  5020
Differential Cross Pins x 2
-  WO0351020
Differential Shim 3.5x10x0.2mm x 4



BAG D

5 FRONT



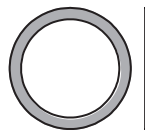
SS0504BK
Set Screw M5x4mm x1



SF0314BK
Flat Screw M3x14mm x 2



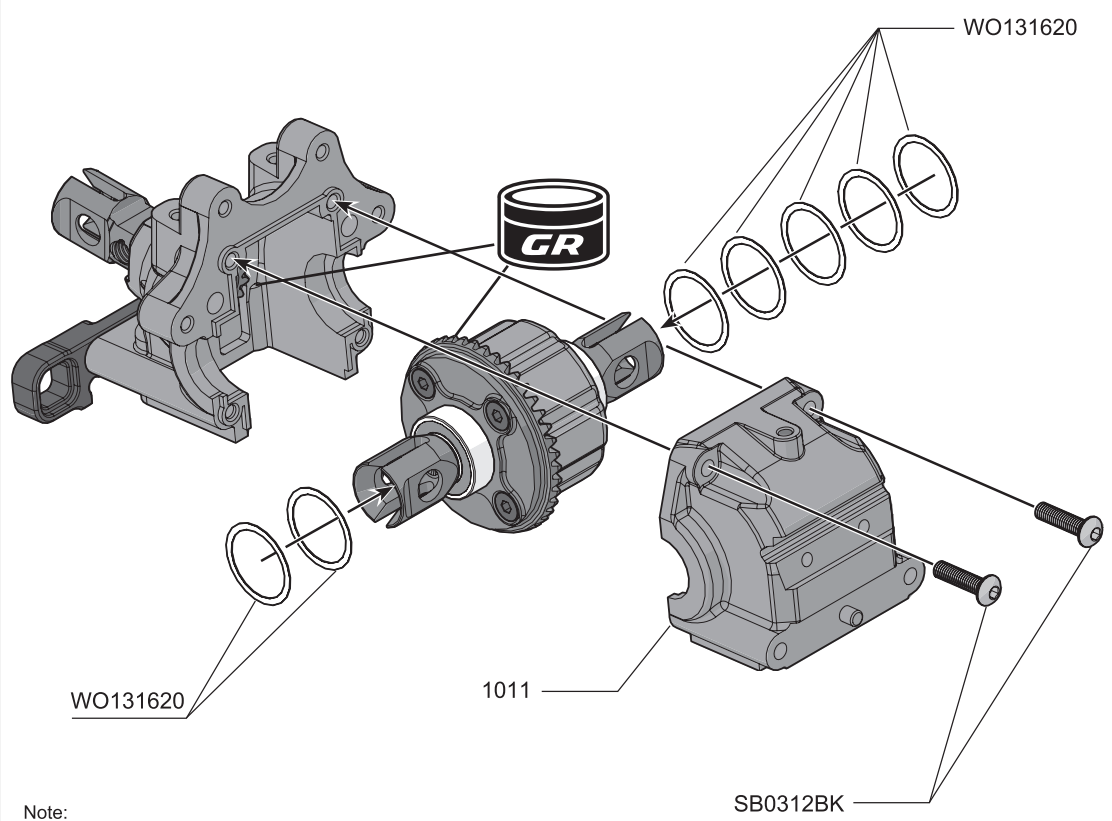
BO051304
Ball Bearing 5x13x4 x2



WO131620
Differential Shim
13x16x.2mm x 7






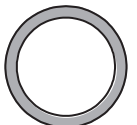


4016
Pinion Gear Stopper
5x7x5.1mm x 1

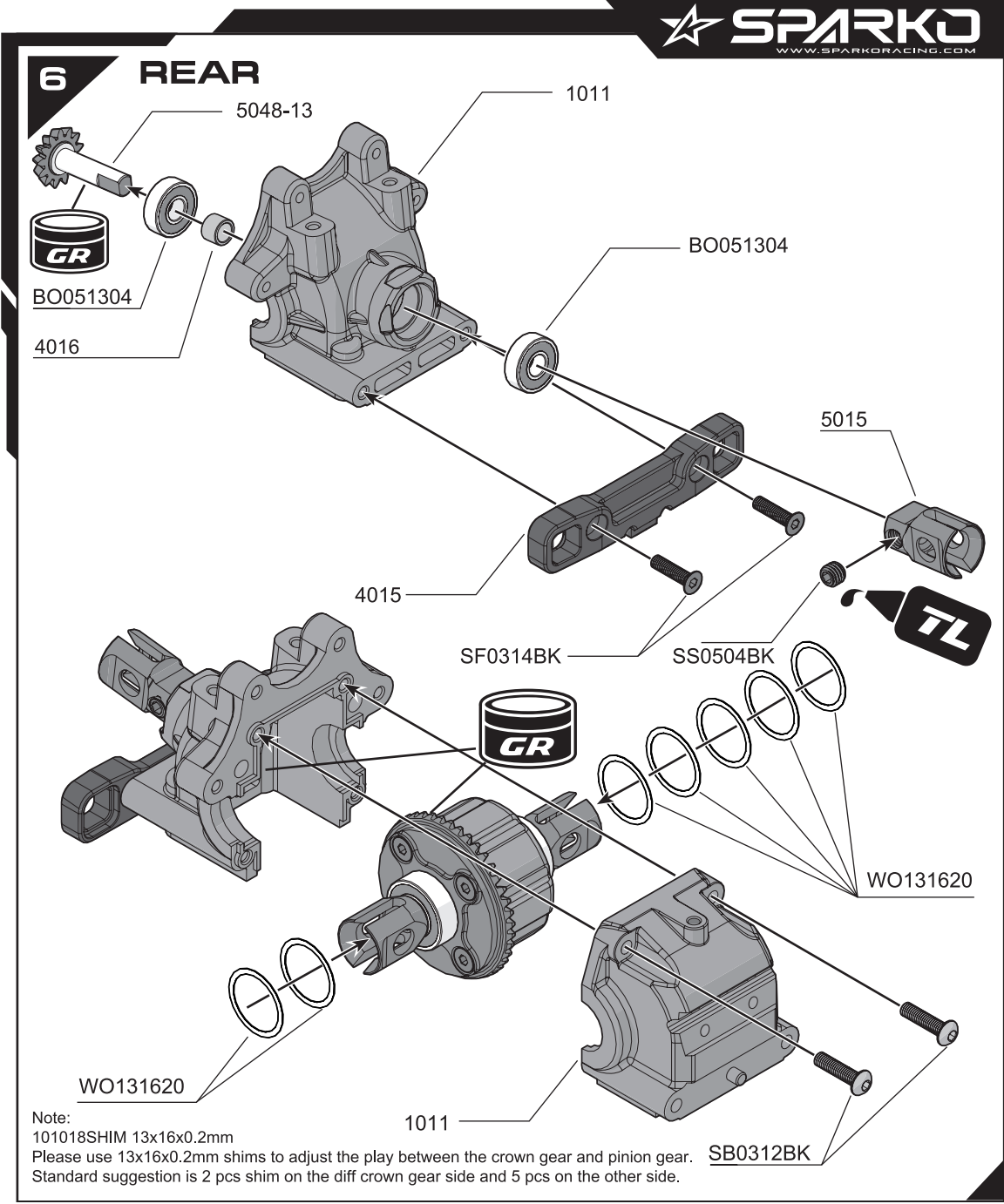


SB0312BK
Ball Screw M3x12mm x 2


Note:
Please use WO131620 13x16x0.2mm shims to adjust the space between the crown gear and pinion gear.
Standard suggestion is 2 pcs shim on the diff crown gear side and 5 pcs on the other side.

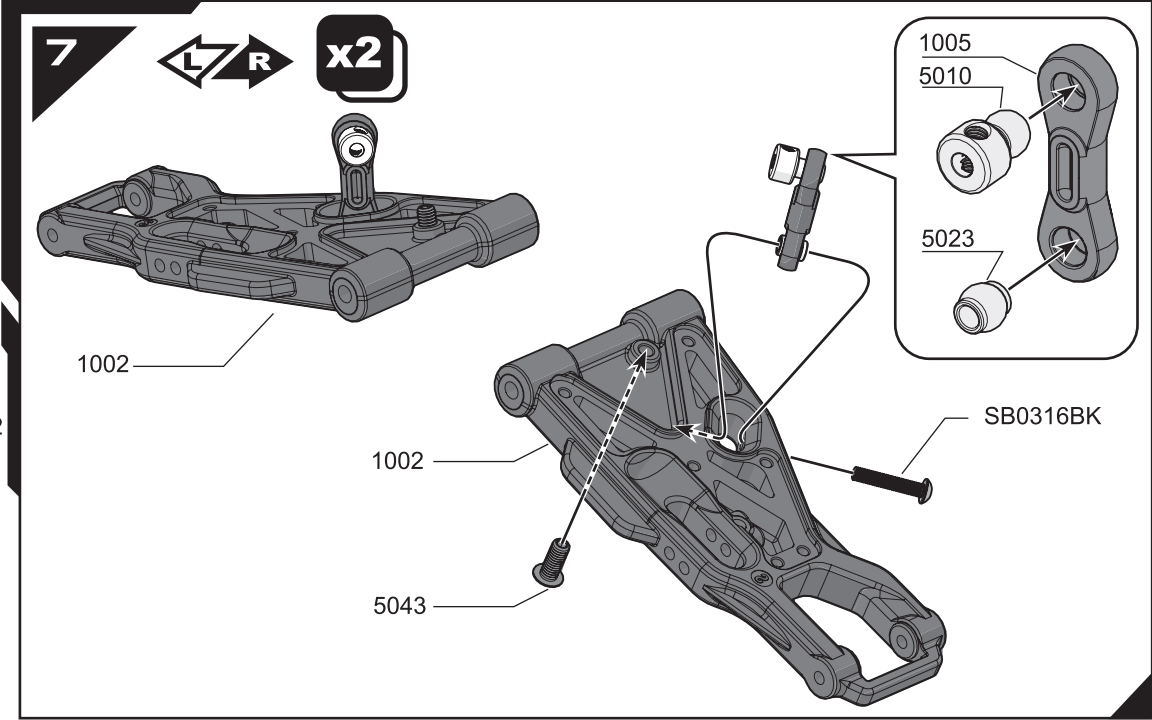
BAG D

-  SS0504BK
Set Screw M5x4mm x 1
-  SF0314BK
Flat Screw M3x14mm x 2
-  BO051304
Ball Bearing 5x13x4mm x 2
-  WO131620
Differential Shim
13x16x0.2mm x 7
-  4016
Pinion Gear Stopper
5x7x5.1mm x 1
-  SB0312BK
Ball Screw M3x12mm x 2



BAG E

-  SB0316BK
Ball Screw M3x16mm x 2
-  5043
Down Stop Screw M4x10mm x 2



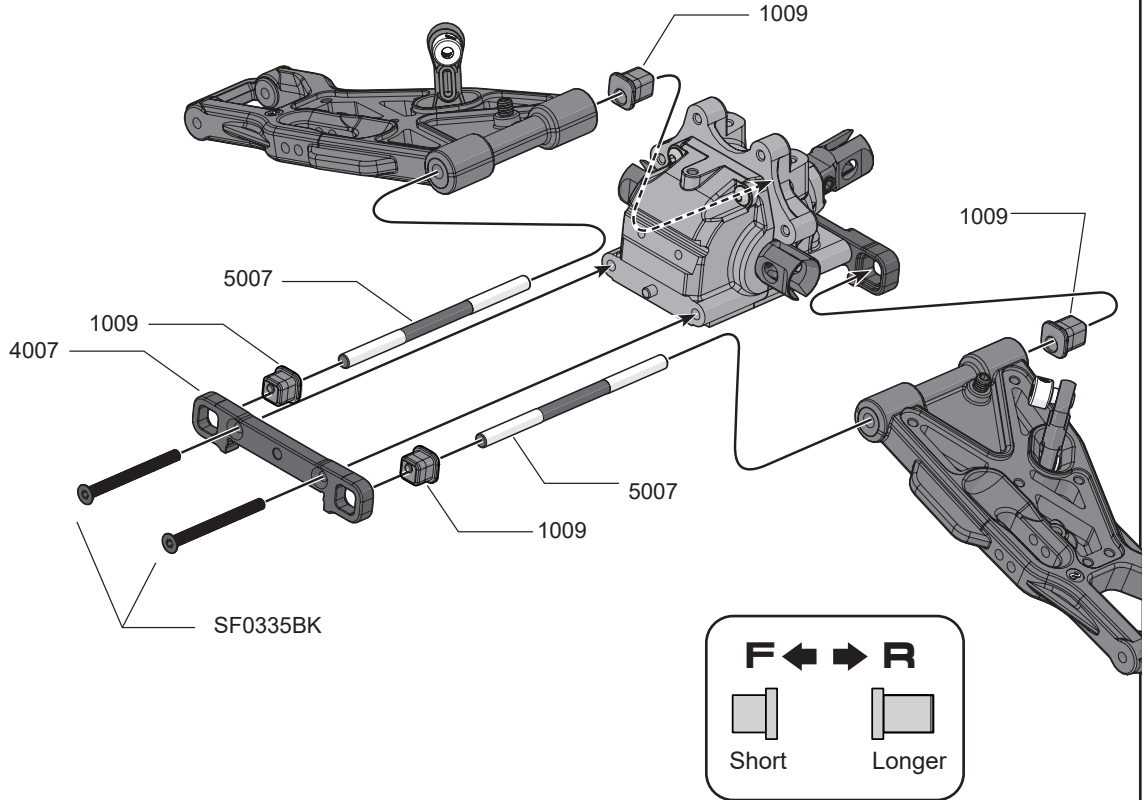
8

SF0335BK
Flat Screw
M3x35mm x 2

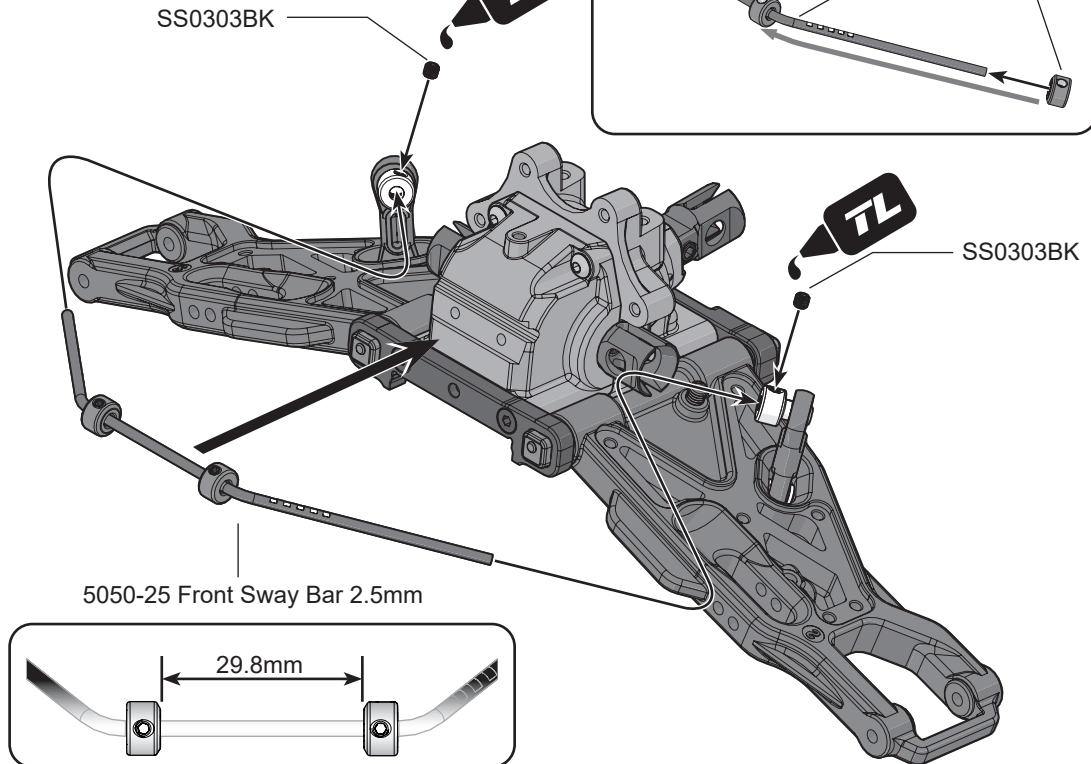


5007
Lower Arm Hinge Pin
(70mm) x 2

SS0303BK
Set Screw M3x3mm x 4



9



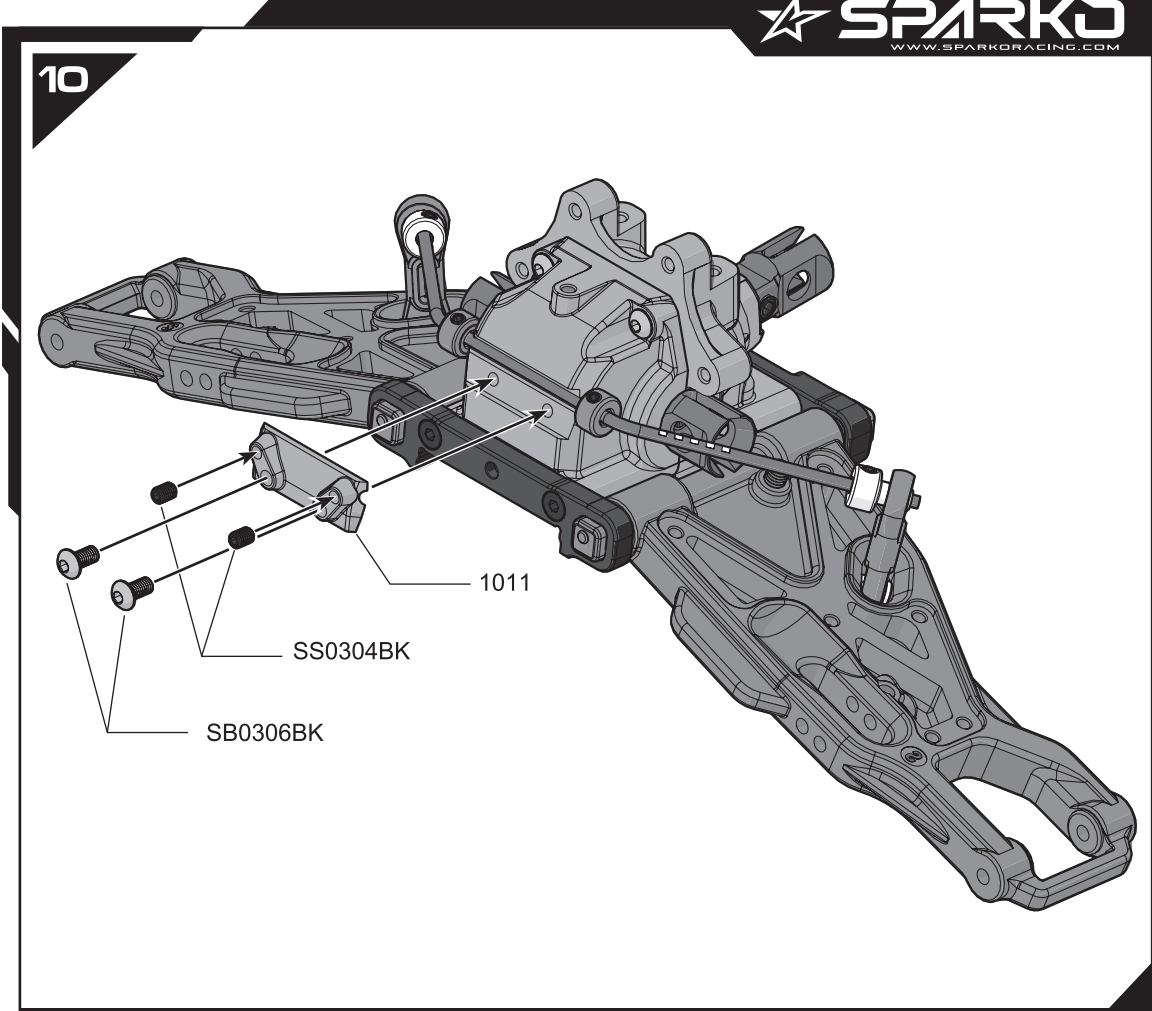
BAG E



SS0304BK
Set Screw M3x4mm x 2



SB0306BK
Ball Screw M3x6mm x 2



BAG F



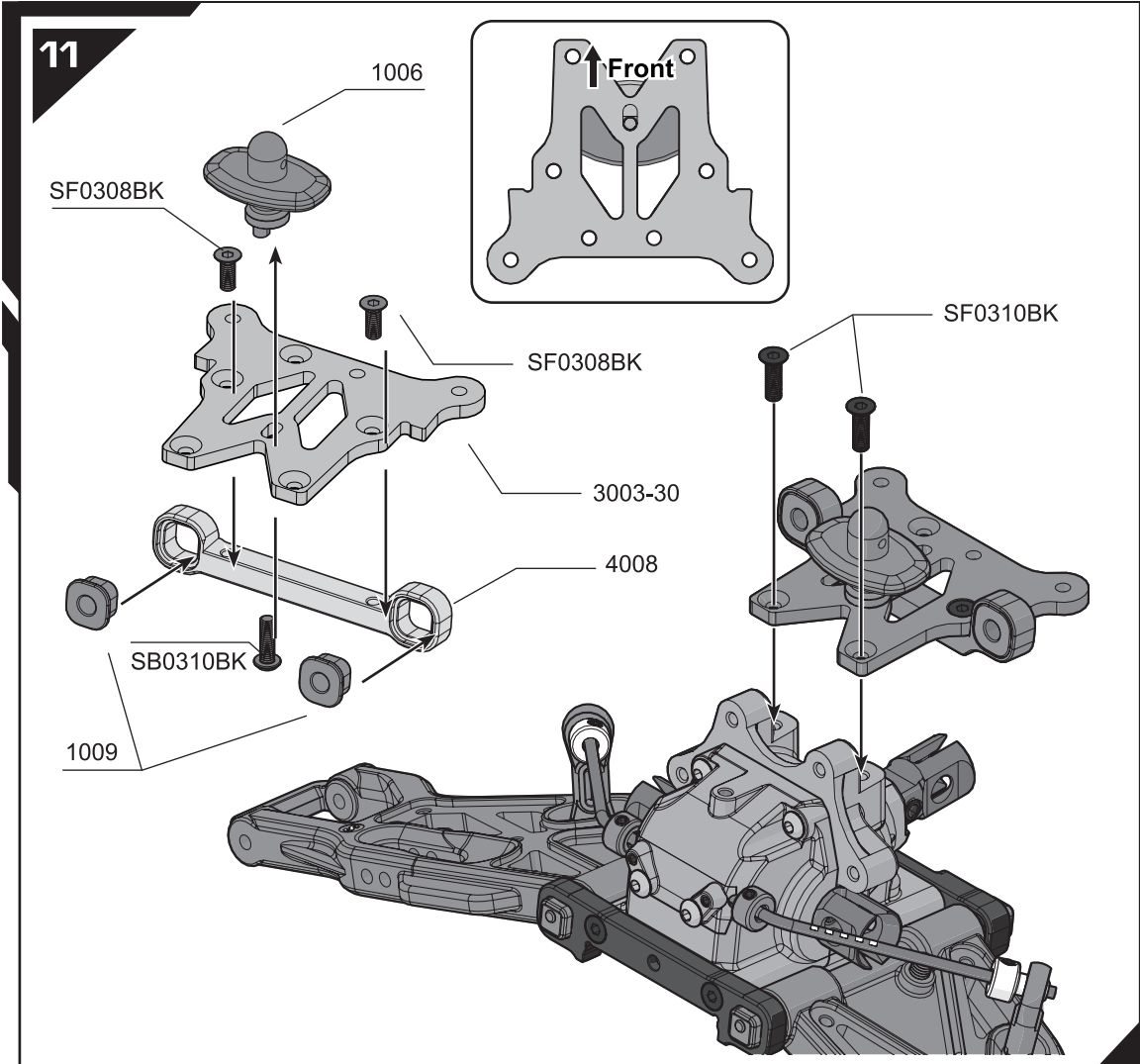
SB0310BK
Ball Screw M3x10mm x1



SF0310BK
Flat Screw M3x10mm x2

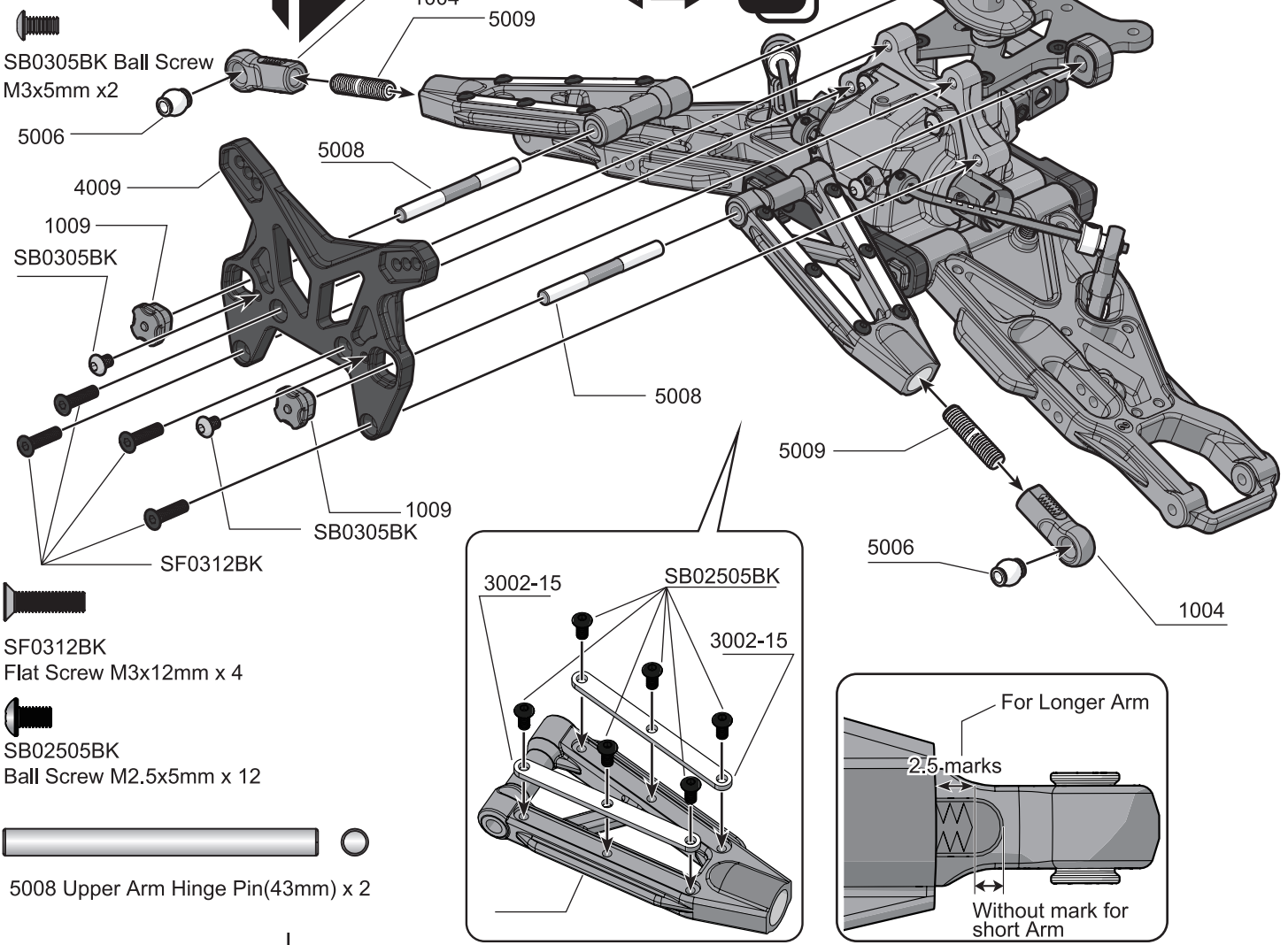


SF0308BK
Flat Screw M3x8mm x2



BAG F

12 X2



SB0305BK Ball Screw M3x5mm x2

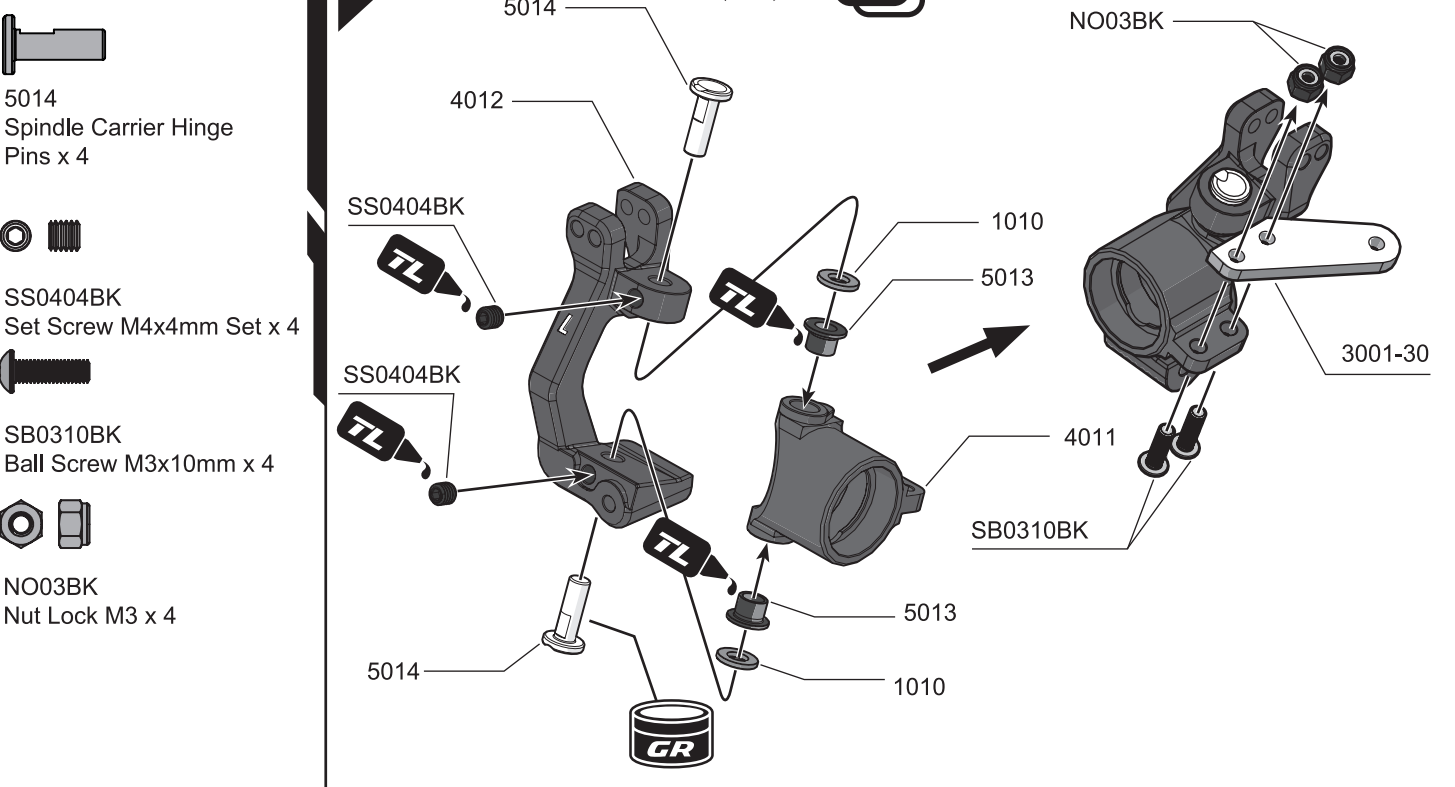
SF0312BK Flat Screw M3x12mm x 4

SB02505BK Ball Screw M2.5x5mm x 12

5008 Upper Arm Hinge Pin(43mm) x 2

BAG G

13 X2



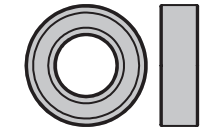
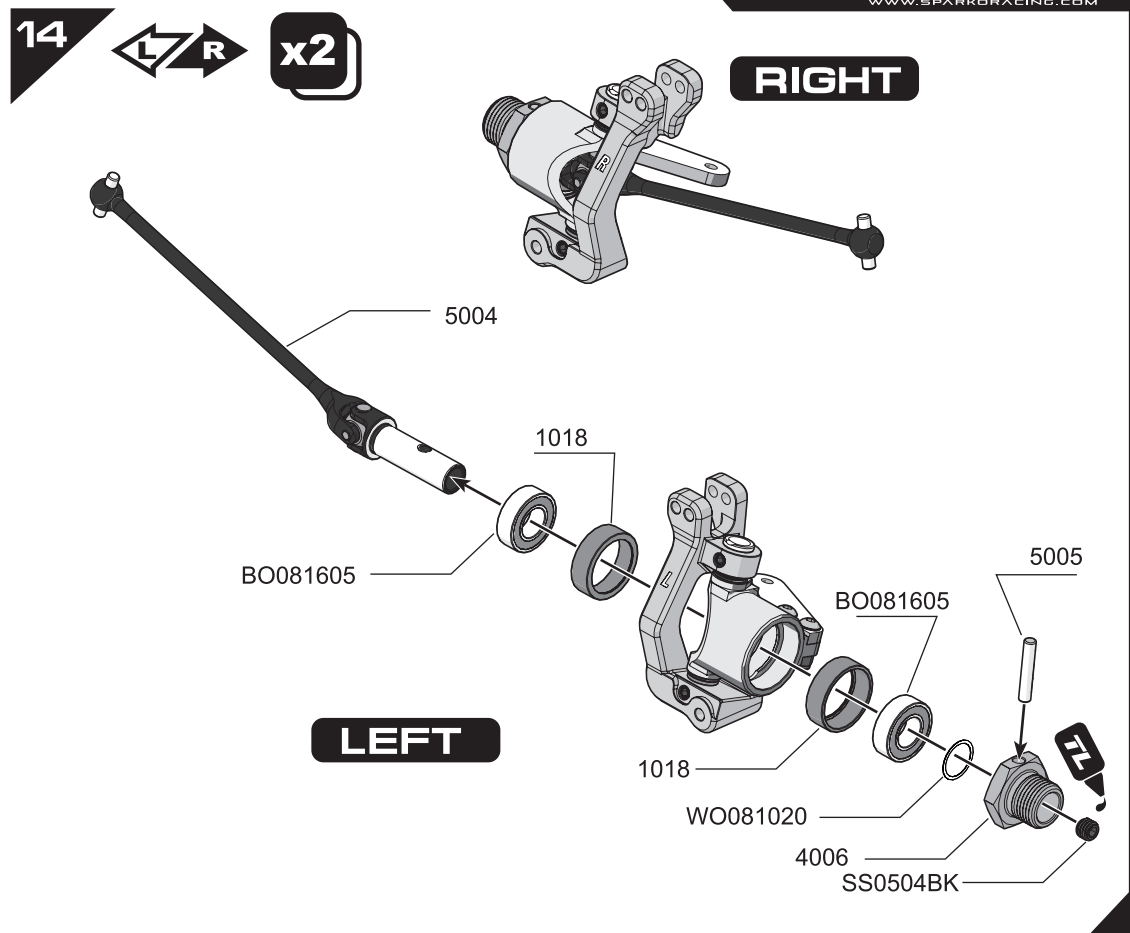
5014 Spindle Carrier Hinge Pins x 4

SS0404BK Set Screw M4x4mm Set x 4

SB0310BK Ball Screw M3x10mm x 4

NO03BK Nut Lock M3 x 4

BAG G



BO081605
Ball Bearing 8x16x5mm x 4



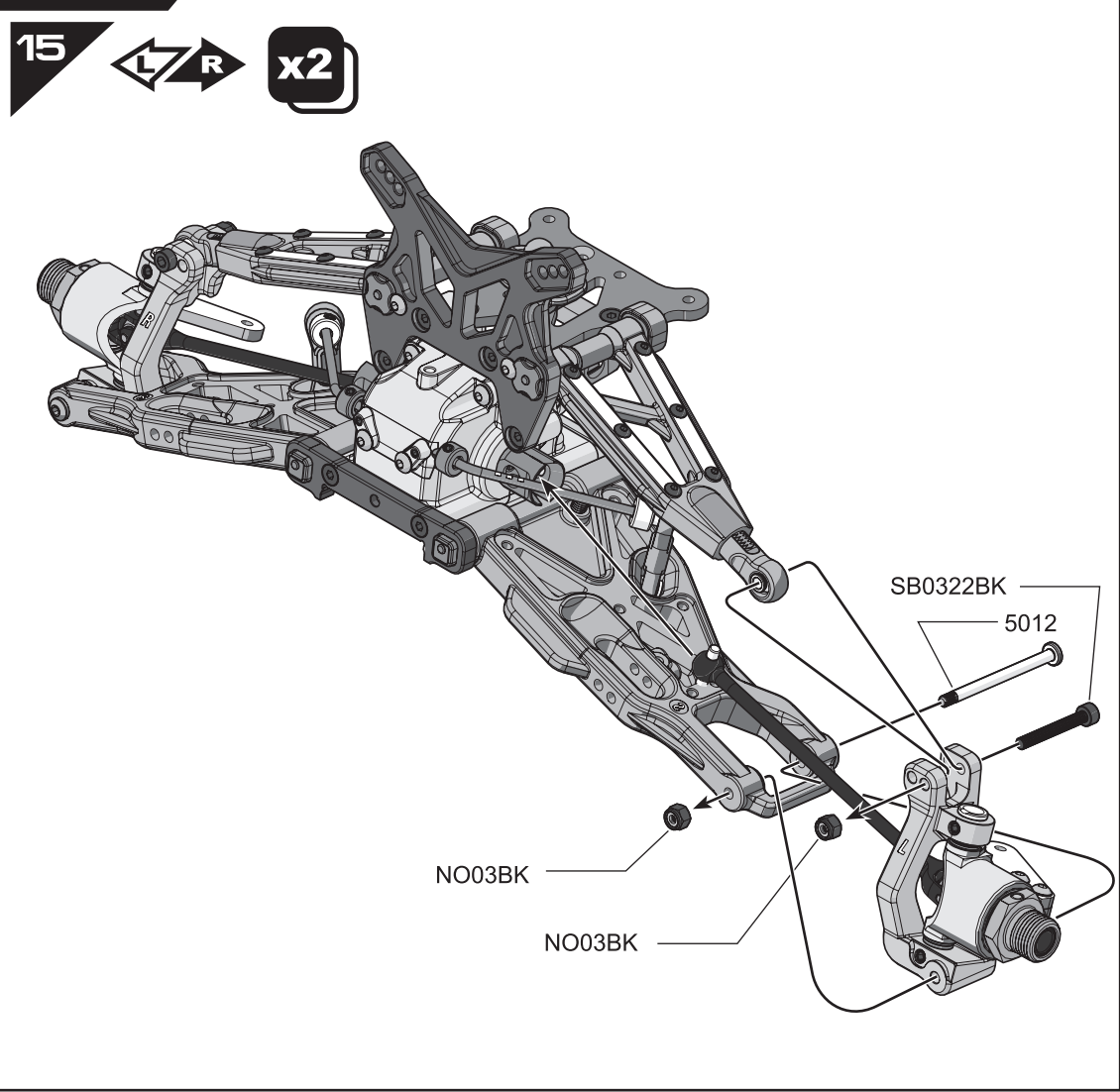
SS0504BK
Set Screw M5x4mm x 2



5005
Pin M3.0x16.8mm x2



WO081020
Hex Shim 8x10x0.2mm x 2



SB0322BK
Ball Screw M3x22mm x 2

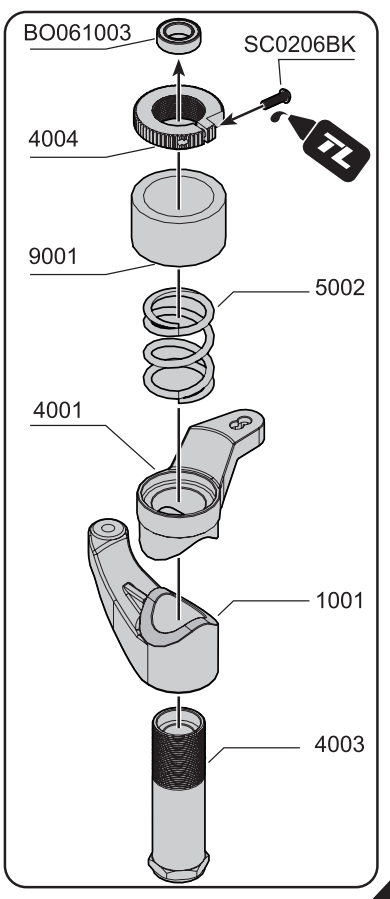
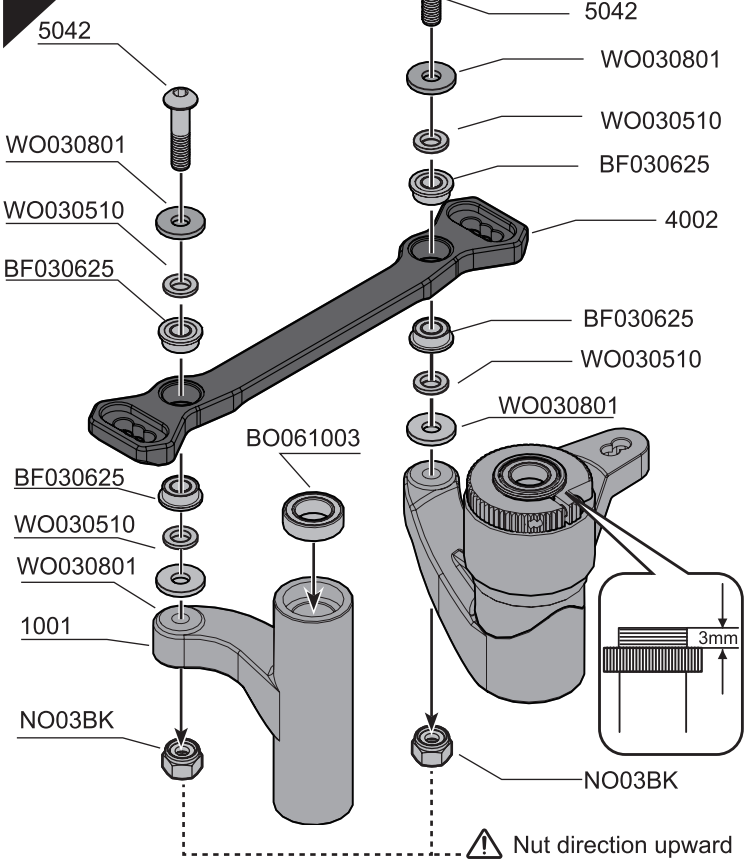


NO03BK
Nut Lock M3 x 4

BAG H

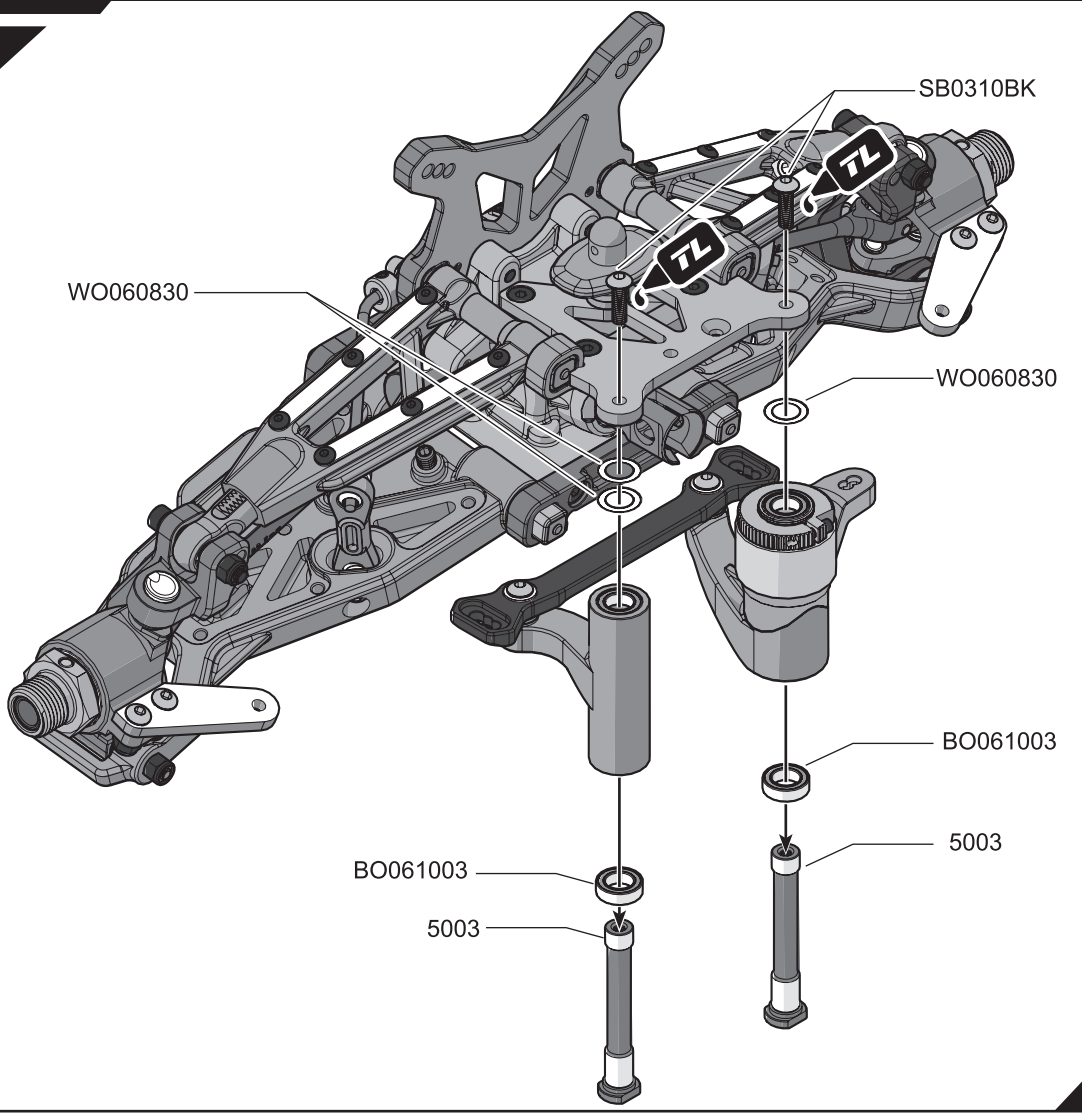
16

-  NO03BK Nut Lock M3 x 2
-  WO030801 Shim 3x8x1mm x 4
-  WO030510 Shim 3x5x0.1mm x 4
-  BF030625 Flange Ball Bearing 3x6x2.5mm x 4
-  5042 Hex Shanked Button M3x13.7mm x2
-  BO061003 Ball Bearing 6x10x3mm x 2



-  SC0206BK Cap Screw M2x6mm x 1
-  SB0310BK Ball Screw M3x10mm x 2
-  BO061003 Ball Bearing 6x10x3mm x 2
-  WO060830 Shim 6x8x0.3mm x 3

17



BAG I

18

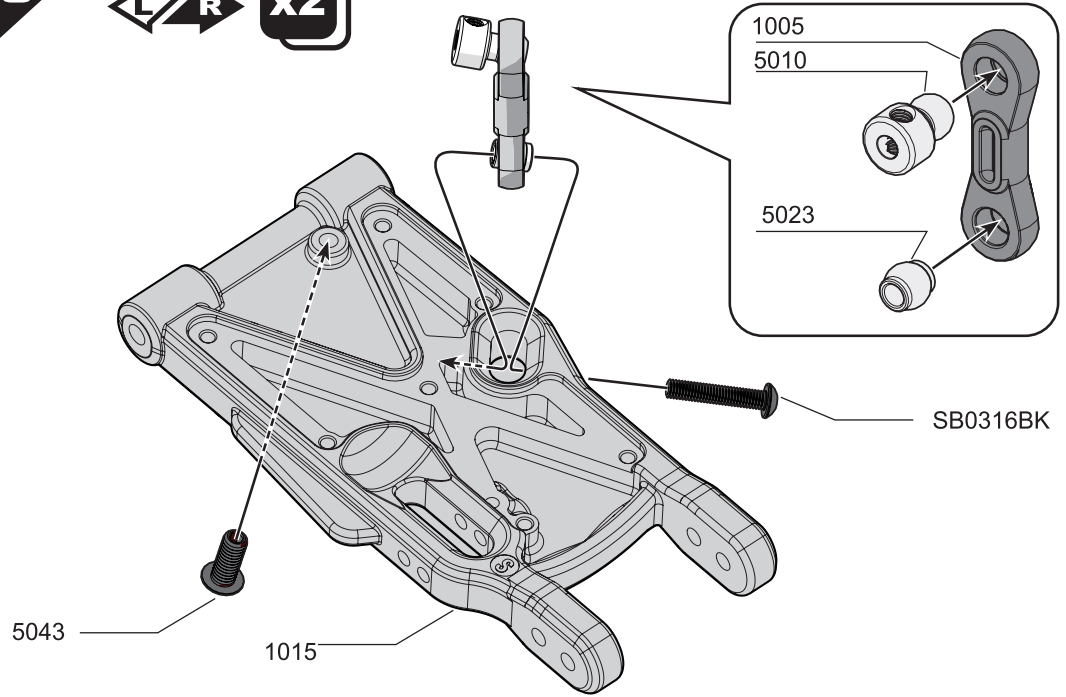
L/R X2



SB0316BK
Ball Screw M3x16mm x 2



5043
Down Stop Screw
M4x10mm x 2



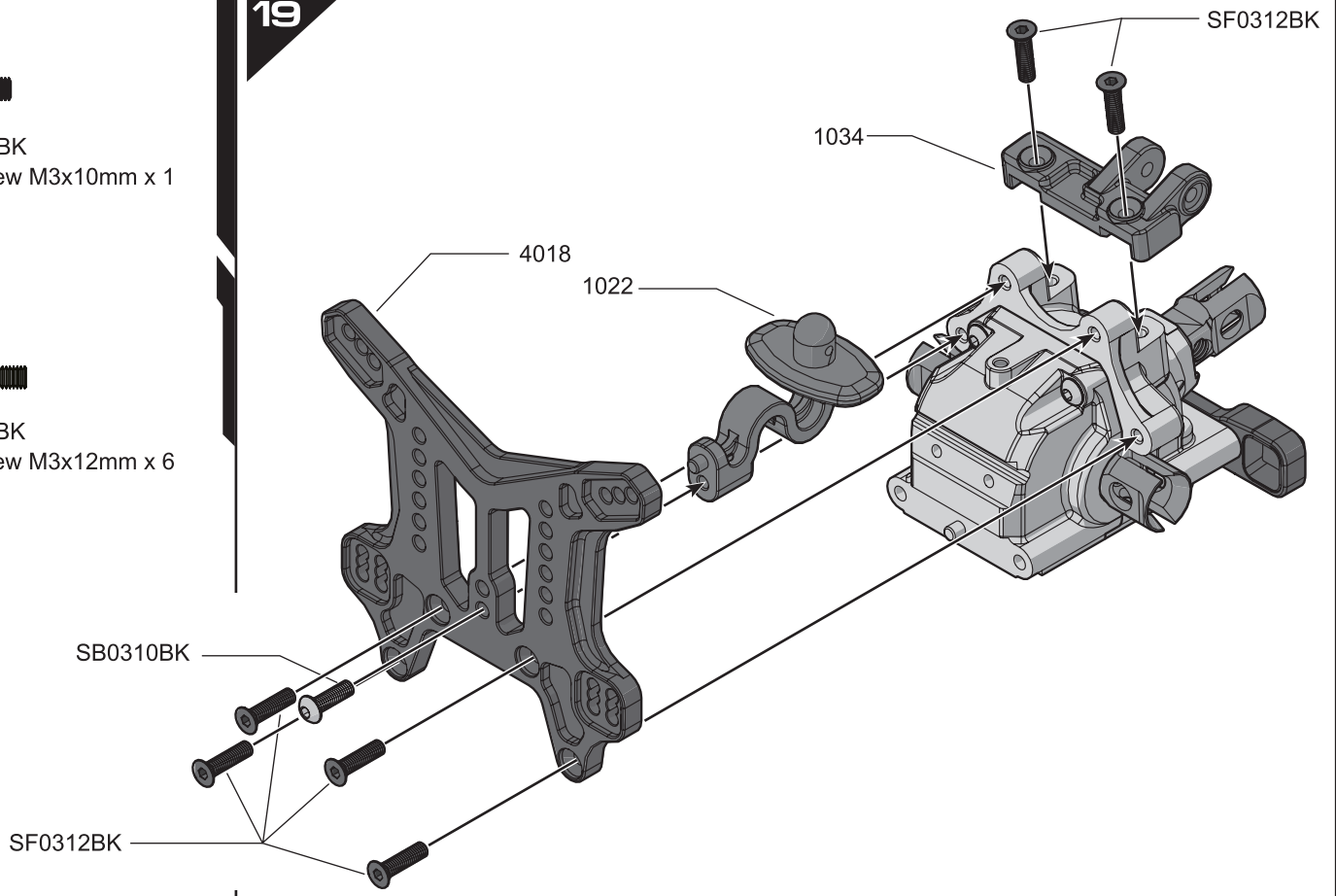
19



SB0310BK
Ball Screw M3x10mm x 1



SF0312BK
Flat Screw M3x12mm x 6



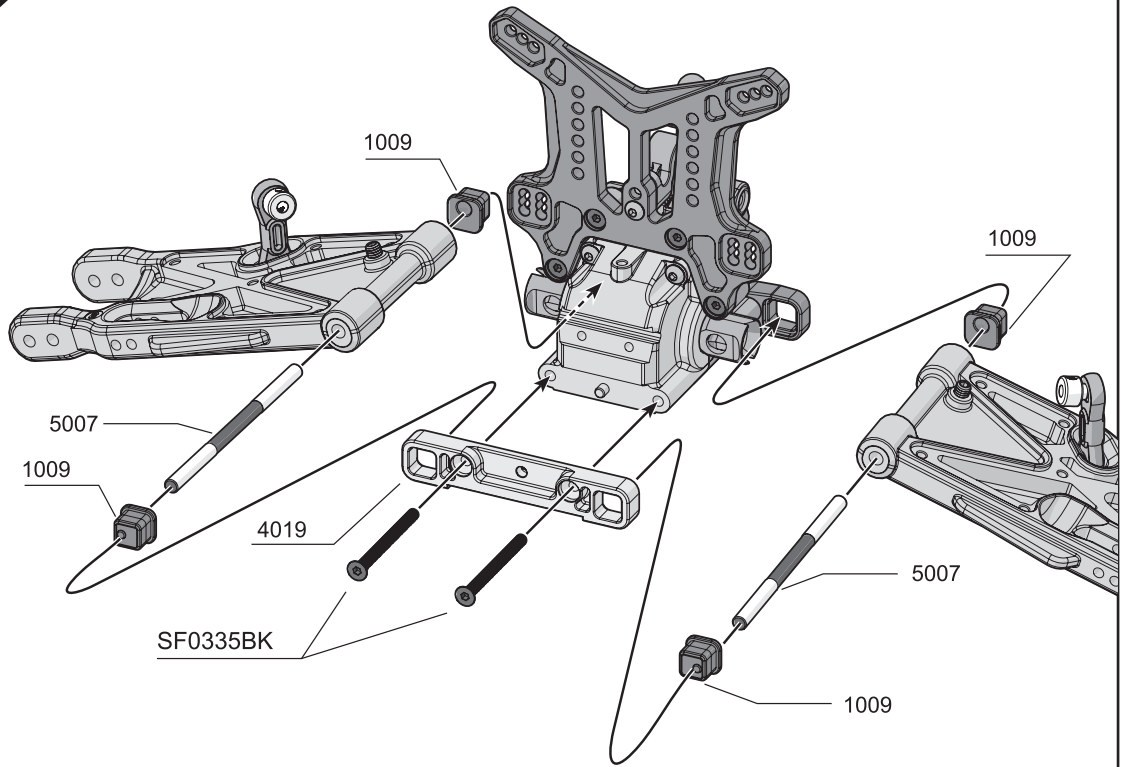
BAG 1

20

SF0335BK
Flat Screw M3x35mm x 2

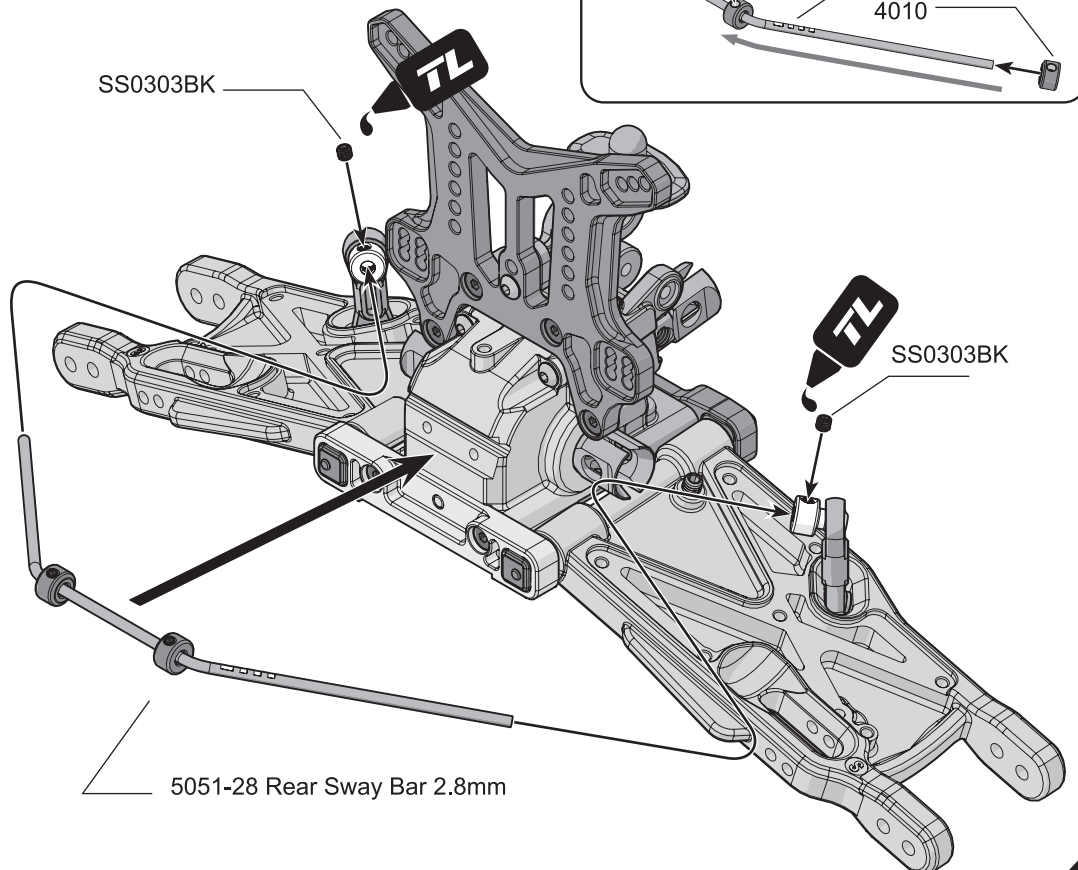
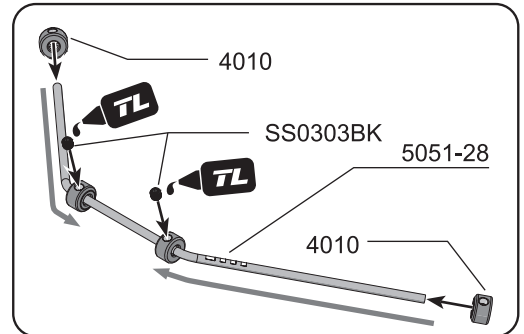
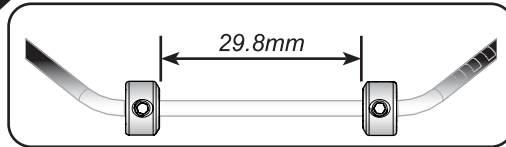


5007
Lower Arm Hinge Pin x 2



SS0303BK
Set Screw M3x3mm x 4

21



BAG I

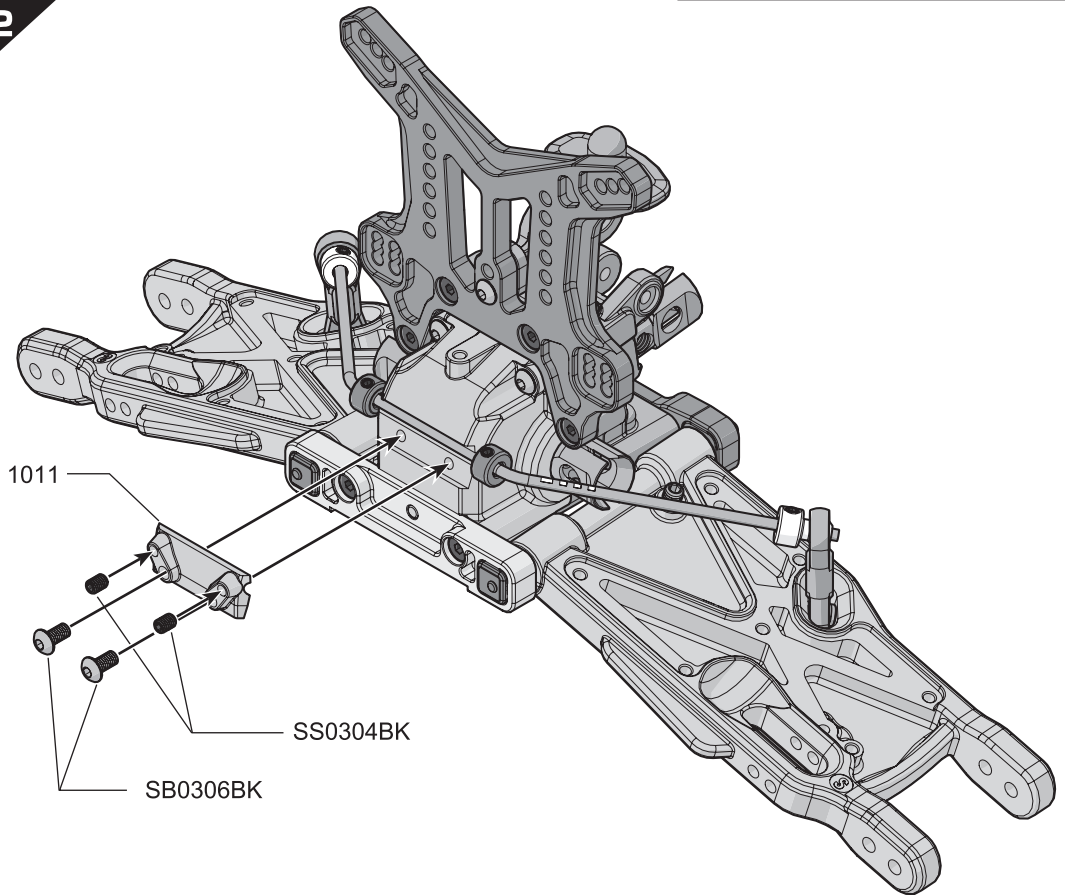


SS0304BK
Set Screw M3x4mm x 2



SB0306BK
Ball Screw M3x6mm x 2

22



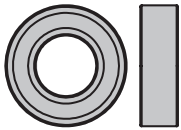
BAG J



SS0504BK
Set Screw M5x4mm x 2



5005
Pin M3.0x16.8mm x 2



BO081605
Ball Bearing 8x16x5mm x 4



SB0322BK
Ball Screw M3x22mm x 4

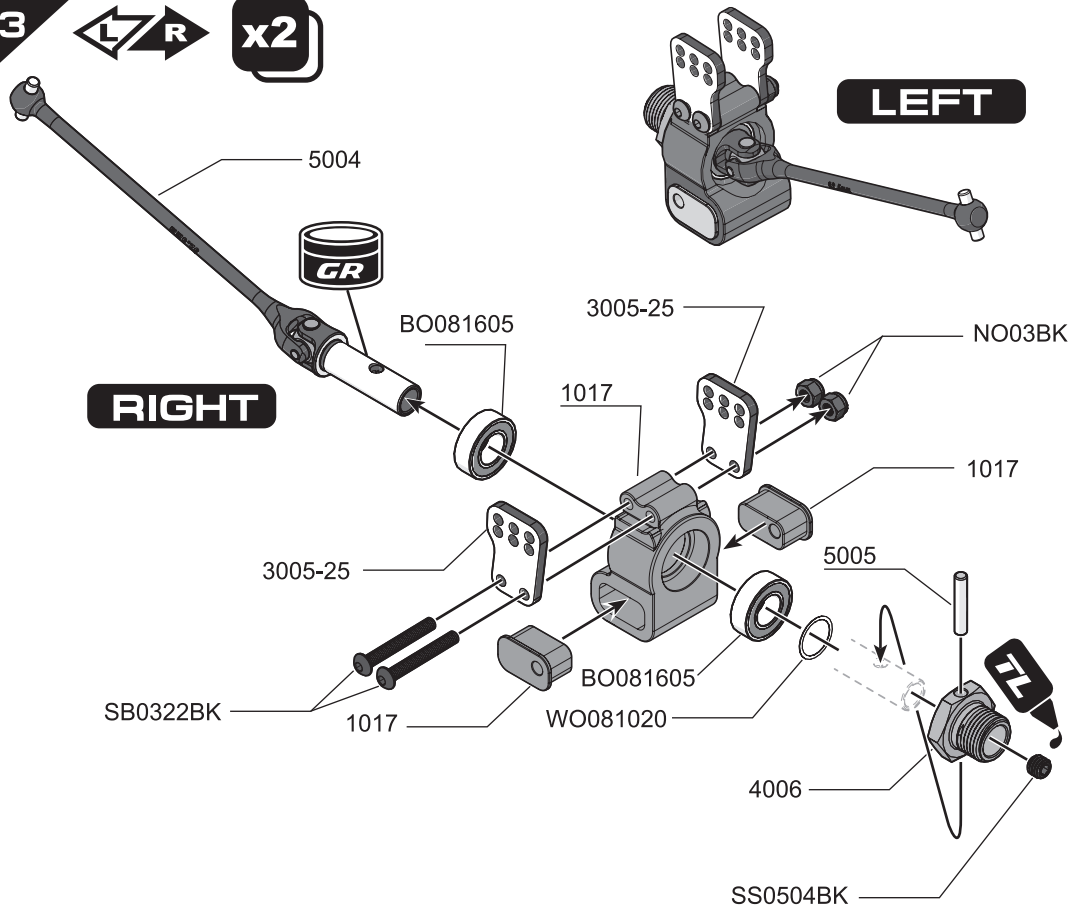


NO03BK
Nut Lock M3 x 4



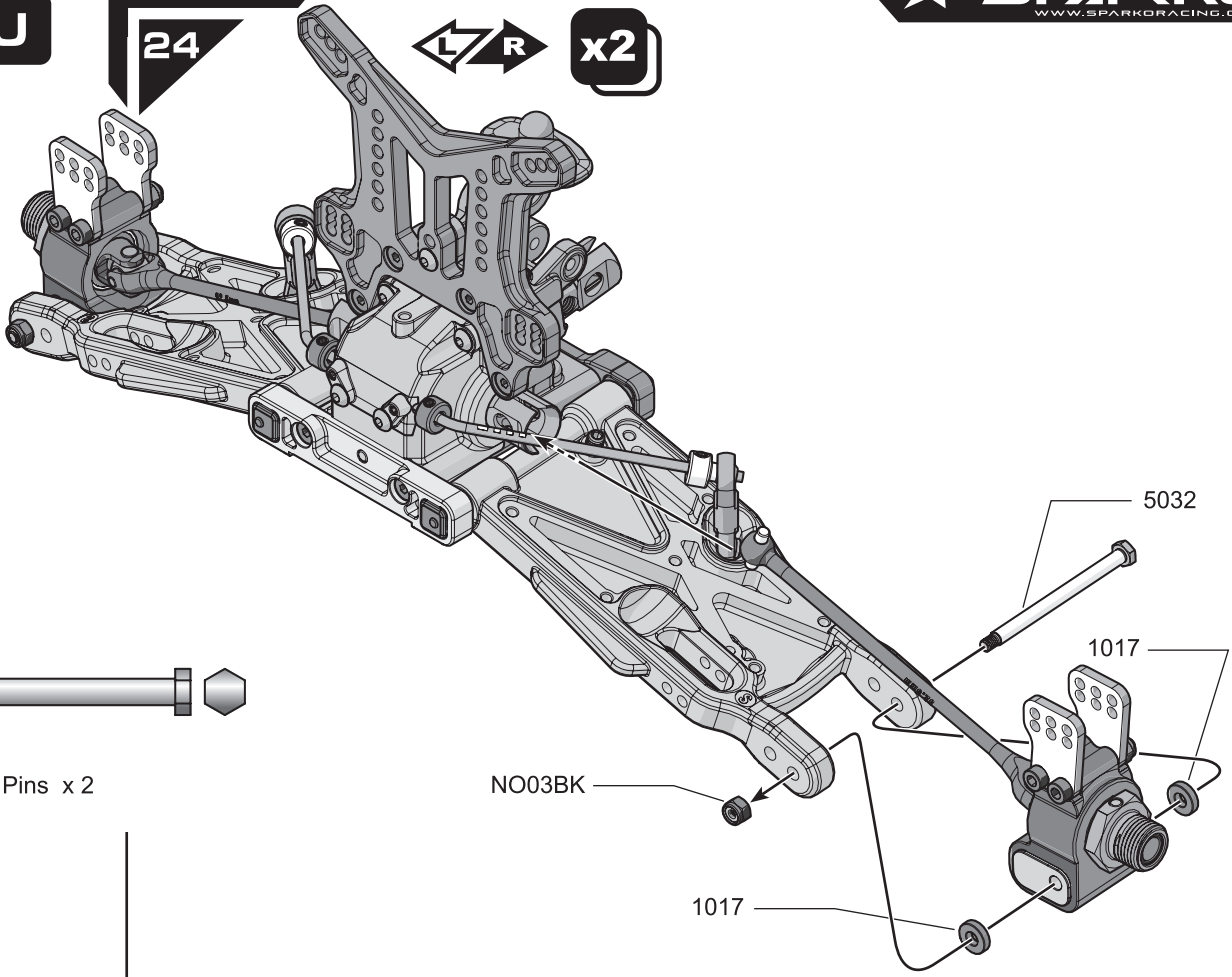
WO081020
Hex Shim 8x10x0.2mm x 2

23



BAG J


24  **x2**

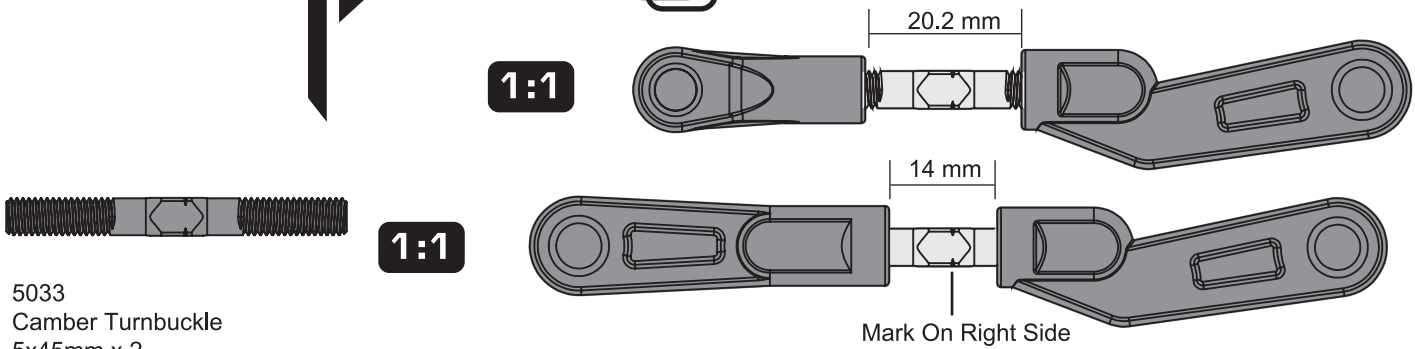


NO03BK
Nut Lock M3 x 2

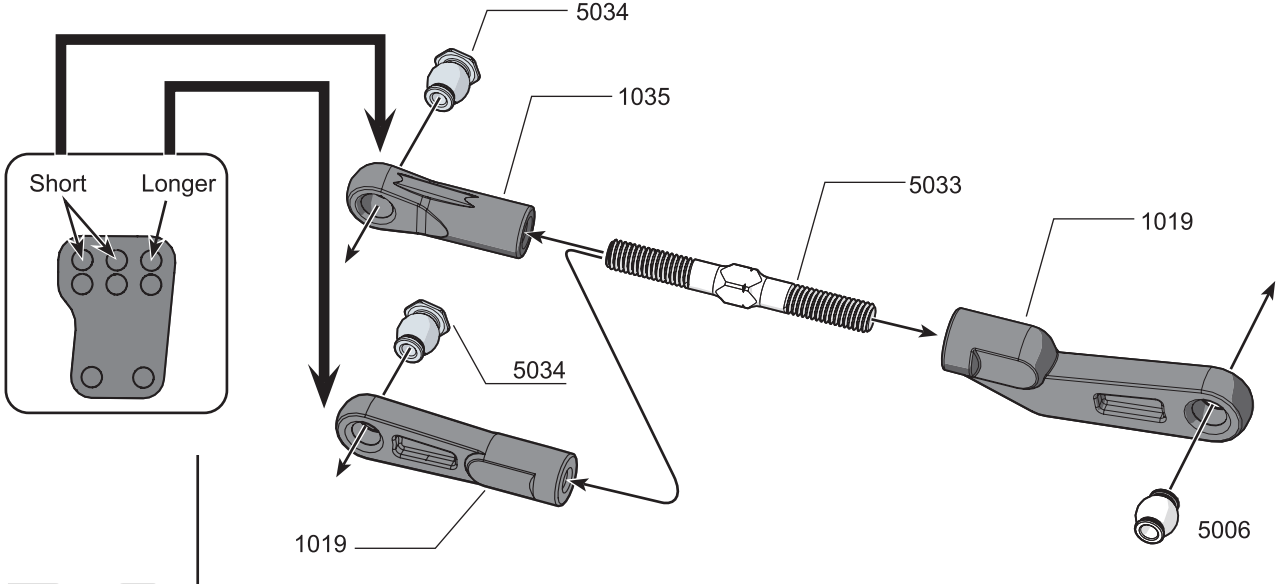


5032
Rear Outer Hinge Pins x 2

25  **x2** **RIGHT**



5033
Camber Turnbuckle
5x45mm x 2



BAG J



SC0310BK
Cap Screw M3x10mm x 2



SB0322BK
Ball Screw M3x22mm x 2

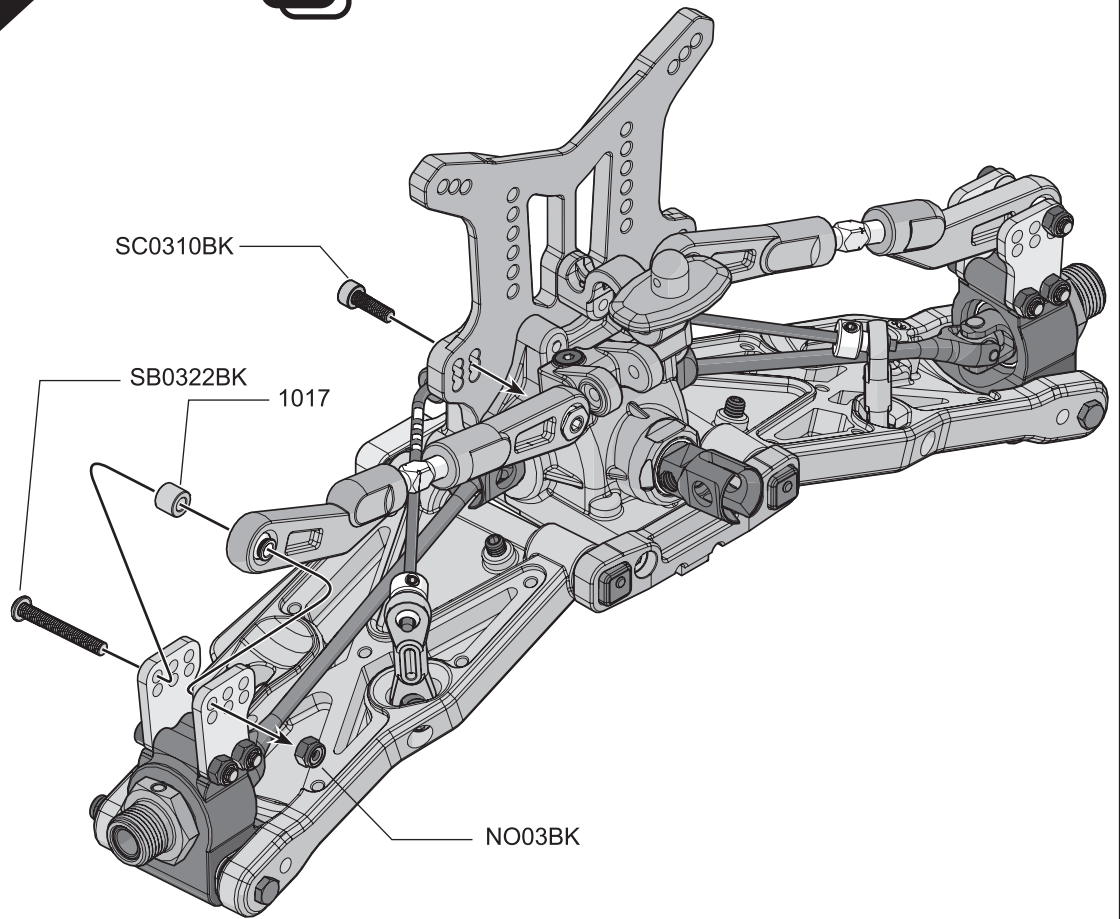


NO03BK
Nut Lock M3 x 2

26



x2

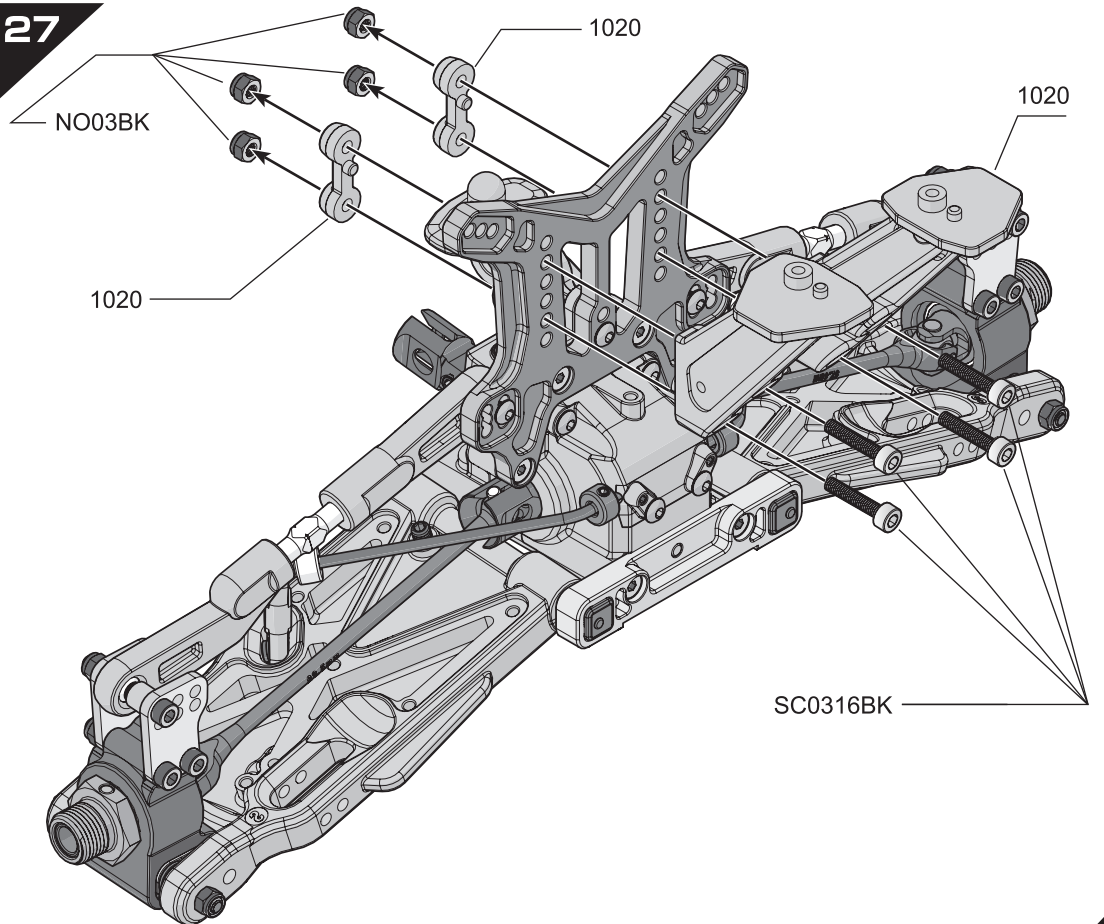


NO03BK
Nut Lock M3 x4



SC0316BK
Cap Screw M3x16mm x4

27



BAG K

28



5042
Hex Shanked Button
M3x13.7mm x 4



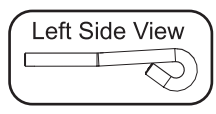
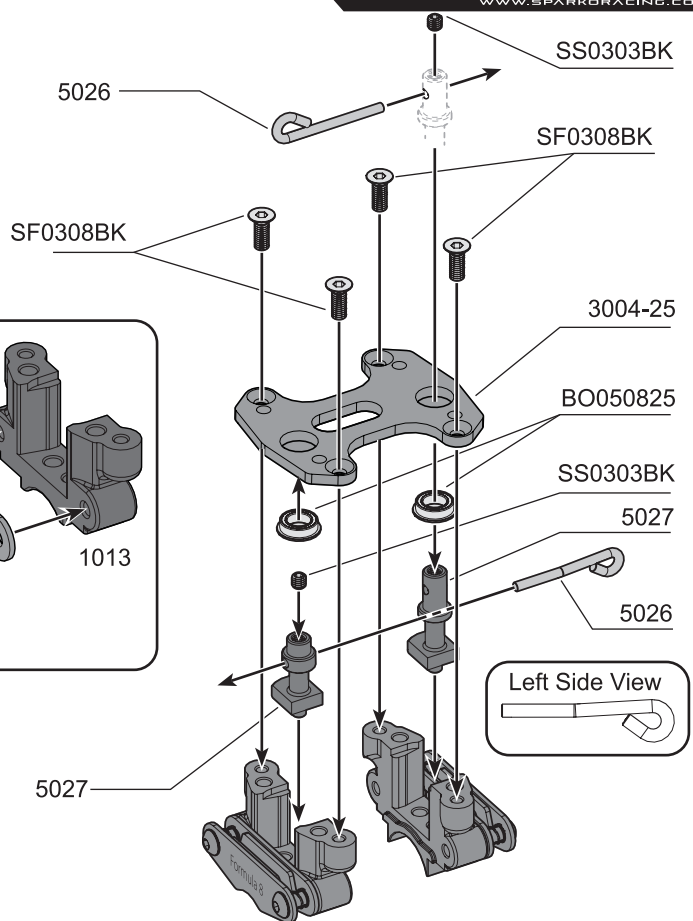
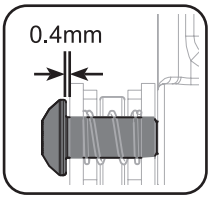
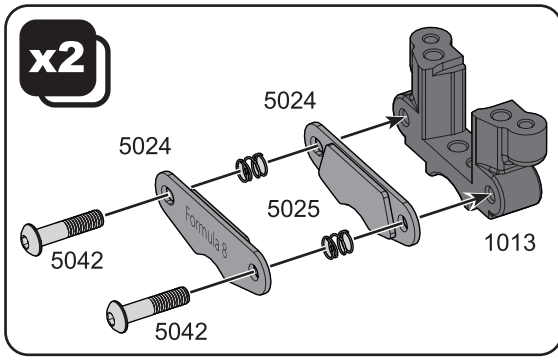
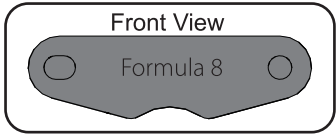
SS0303BK
Set Screw
M3x3mm x 2



SF0308BK
Flat Screw
M3x8mm x 4



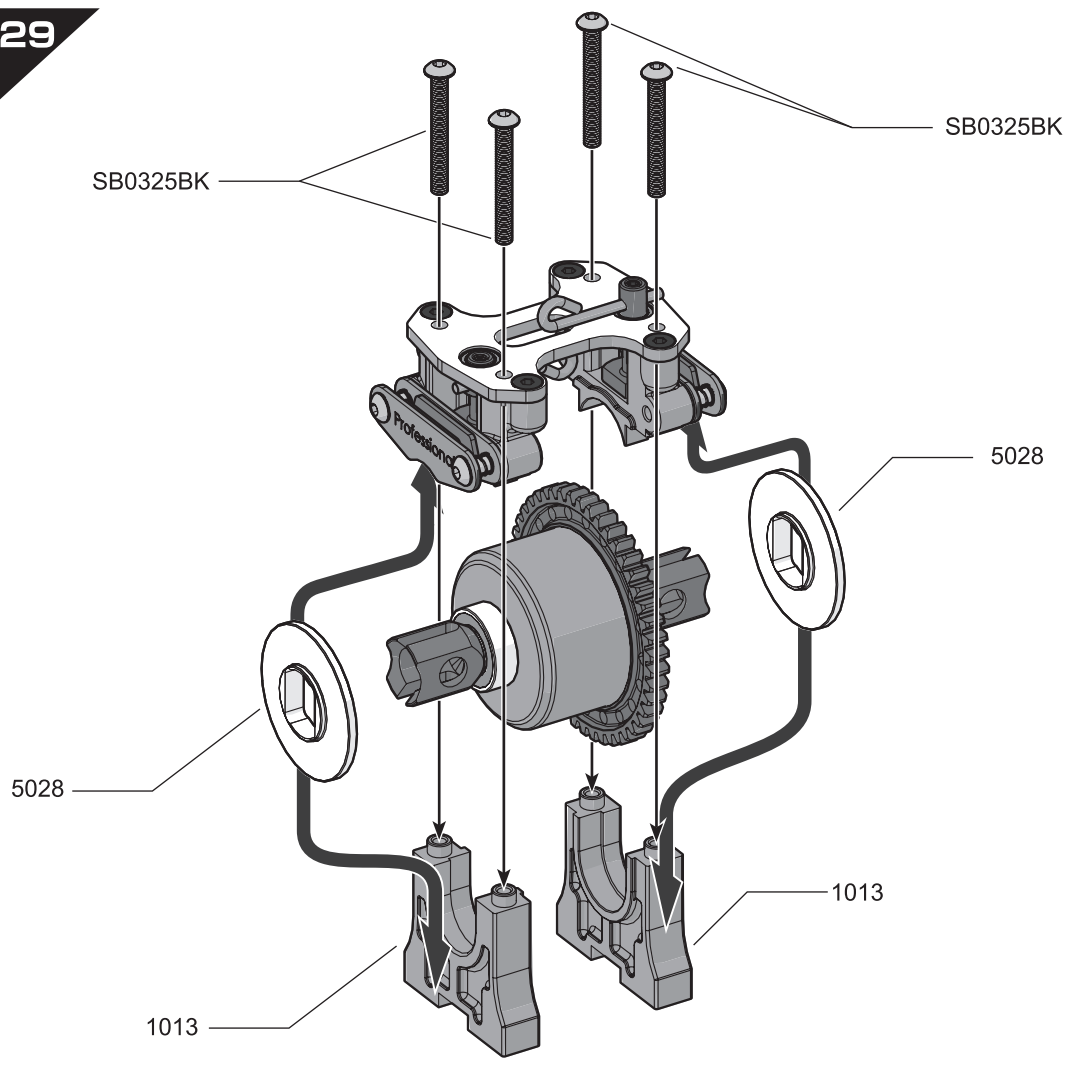
BO050825
Ball Bearing
5x8x2.5mm x 2



29



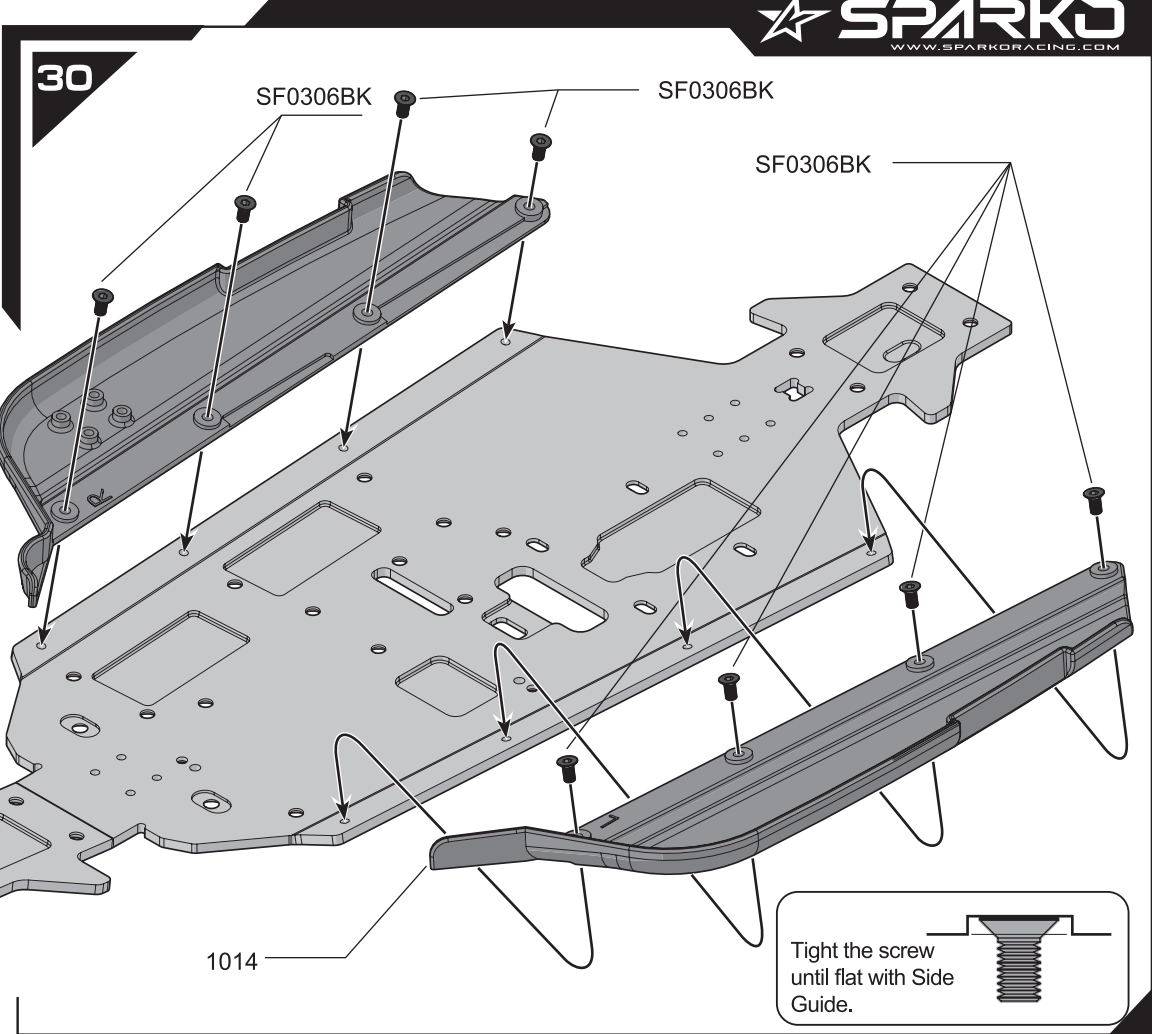
SB0325BK
Ball Screw
M3x25mm x 4



BAG L



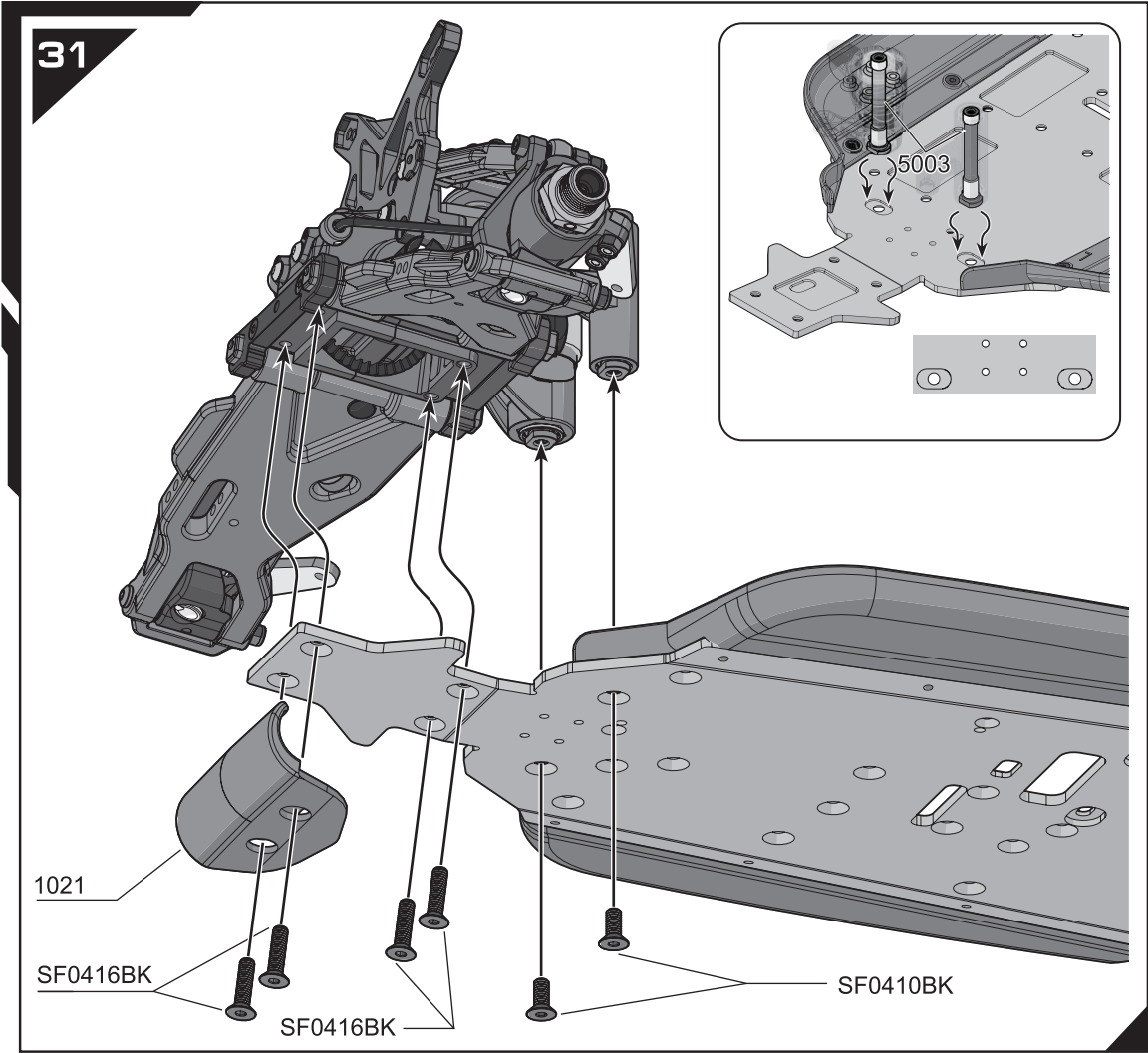
SF0306BK
Flat Screw M3x6mm x8



SF0410BK
Flat Screw M4x10mm x2



SF0416BK
Flat Screw M4x16mm x4



BAG L



SF0310BK
Flat Screw
M3x10mm x 1



SF0410BK
Flat Screw
M4x10mm x 4



SF0412BK
Flat Screw
M4x12mm x 1



NO04BK
Nut Lock M4 x 1



SF0412BK
Flat Screw
M4x12mm x 1



NO04BK
Nut Lock M4 x 1



SF0416BK
Flat Screw
M4x16mm x 4

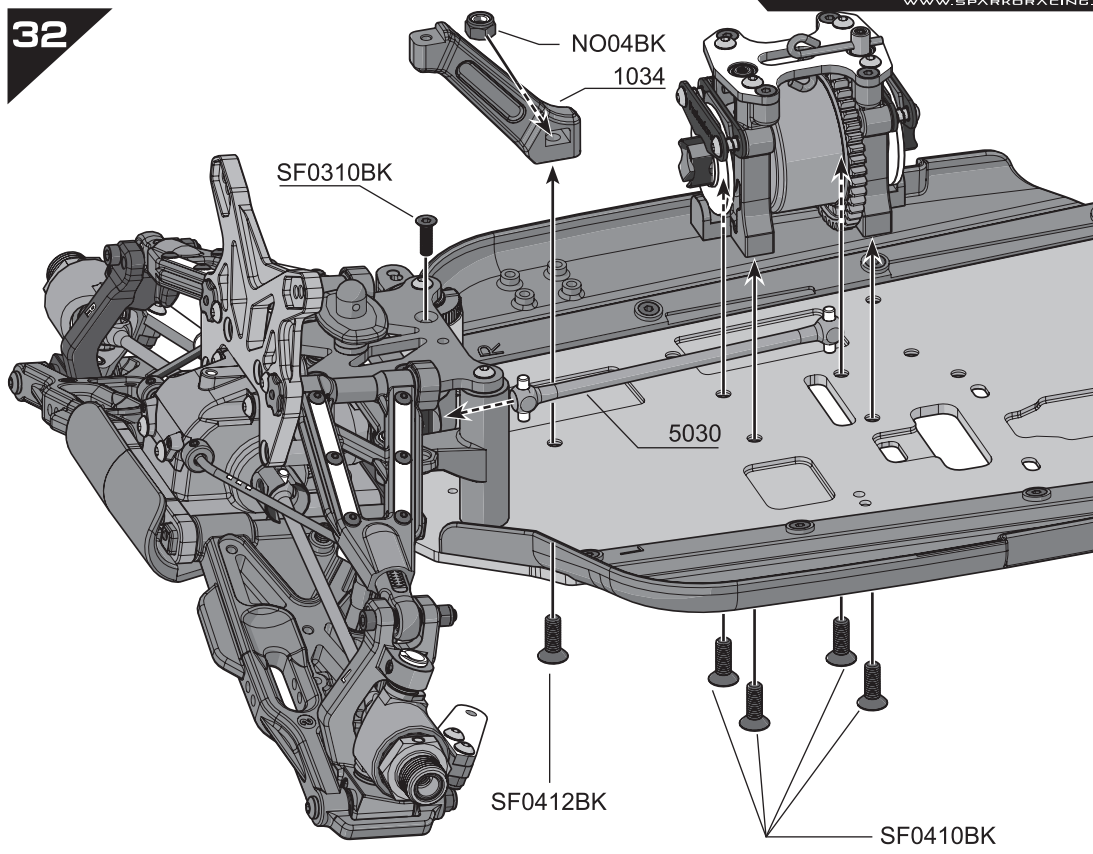


NO03BK
Nut Lock M3 x 1

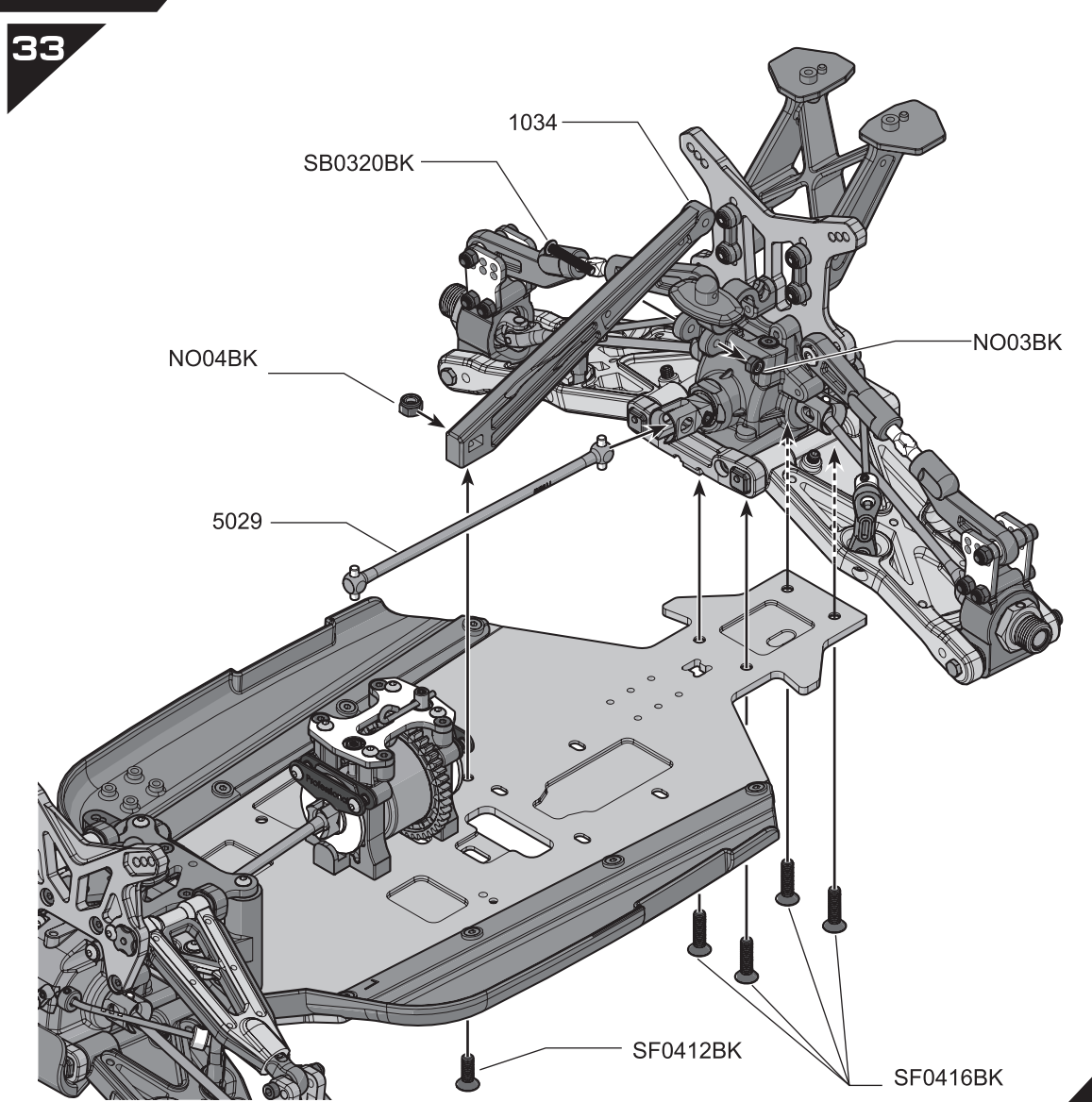


SB0320BK
Ball Screw
M3x20mm x 1

32



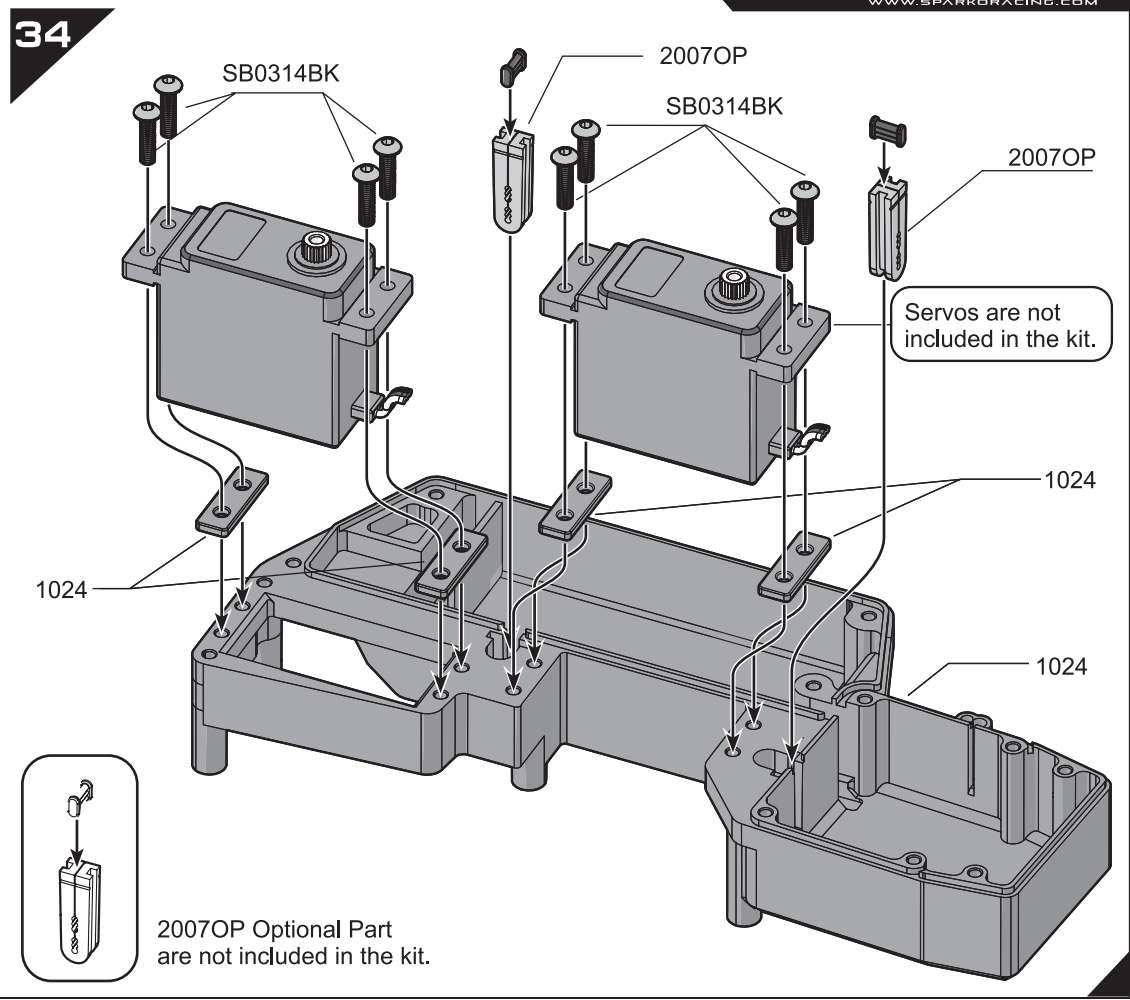
33



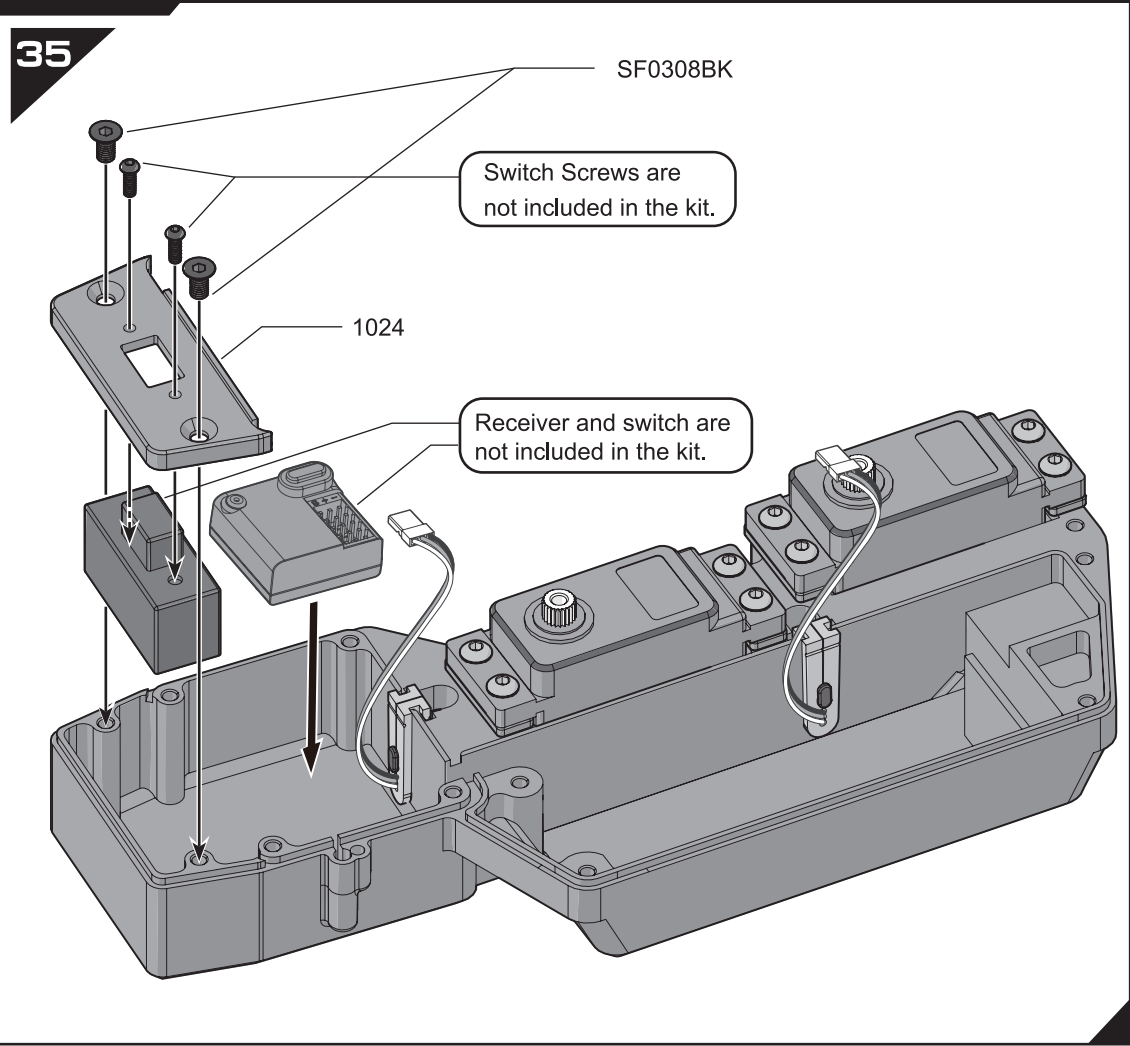
BAG M



SB0314BK
Ball Screw M3x14mm x8



SF0308BK
Flat Screw M3x8mm x 2



BAG M

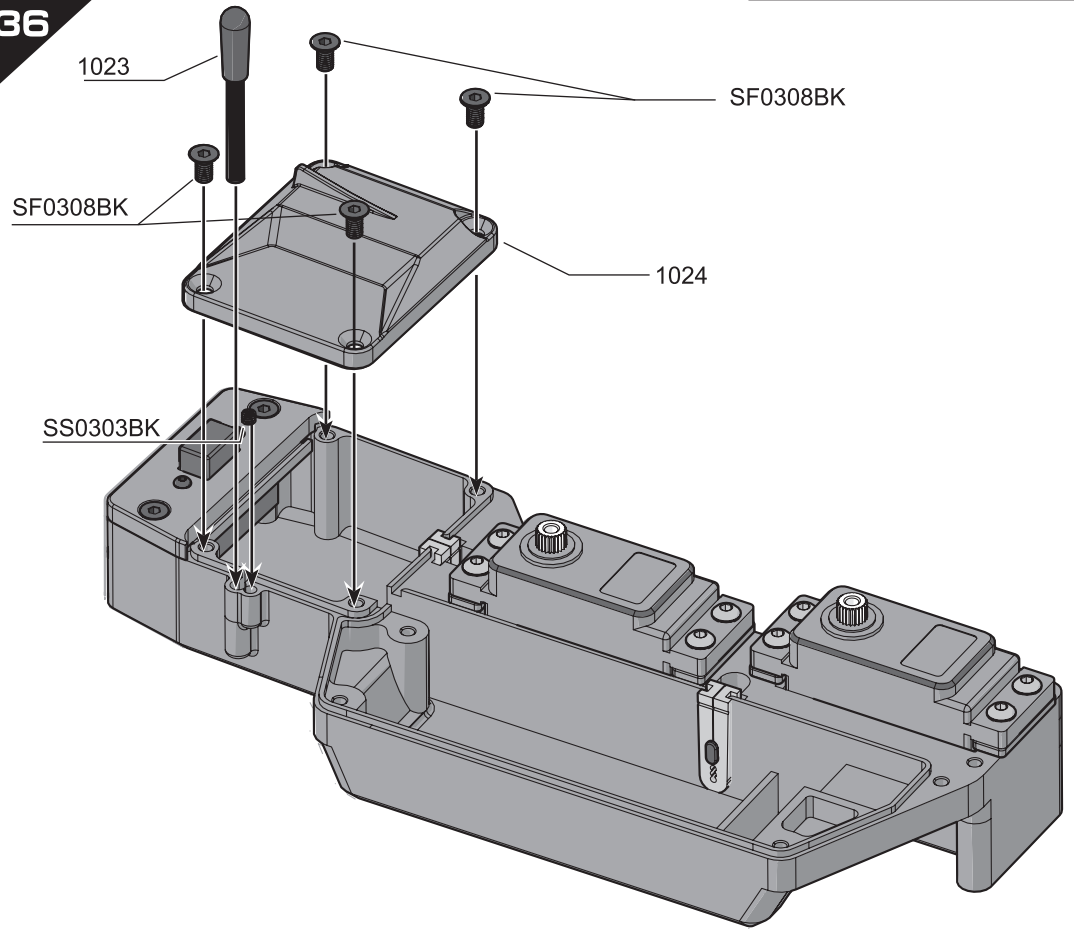


SF0308BK
Flat Screw M3x8mm x 4



SS0303BK
Set Screw M3x3mm x 1

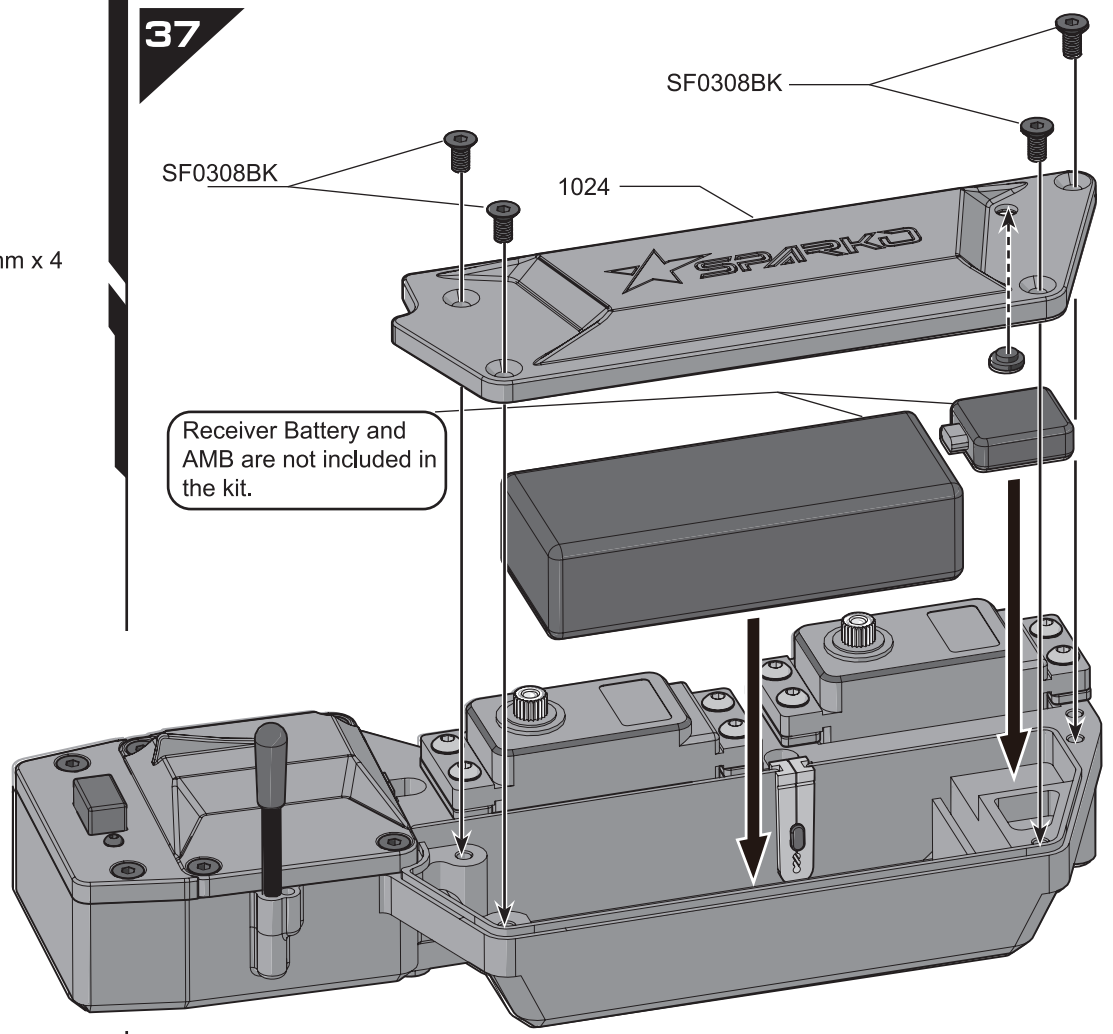
36



37



SF0308BK
Flat Screw M3x8mm x 4

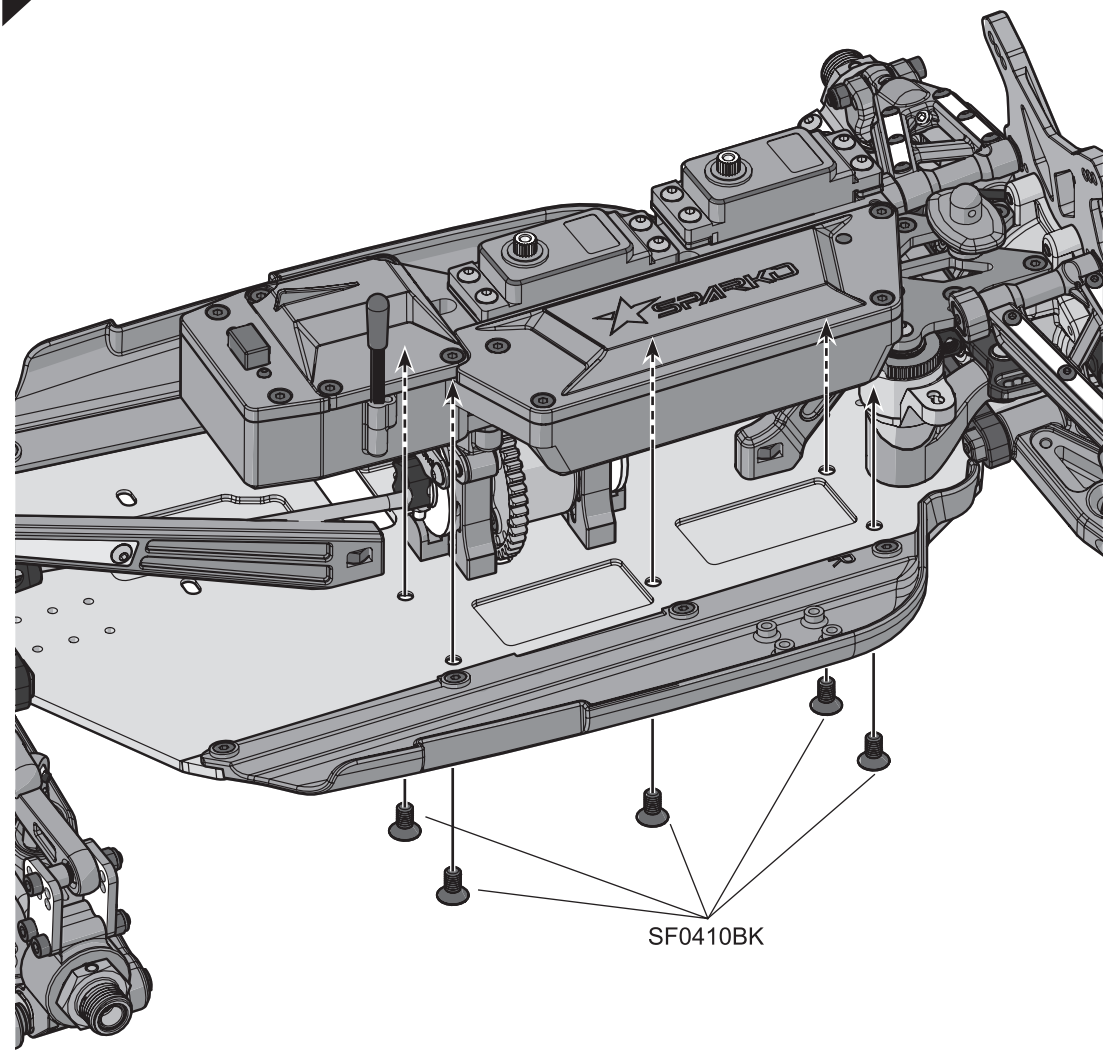


BAG M

38



SF0410BK
Flat Screw
M4x10mm x 5

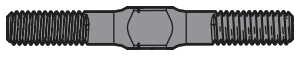


BAG N

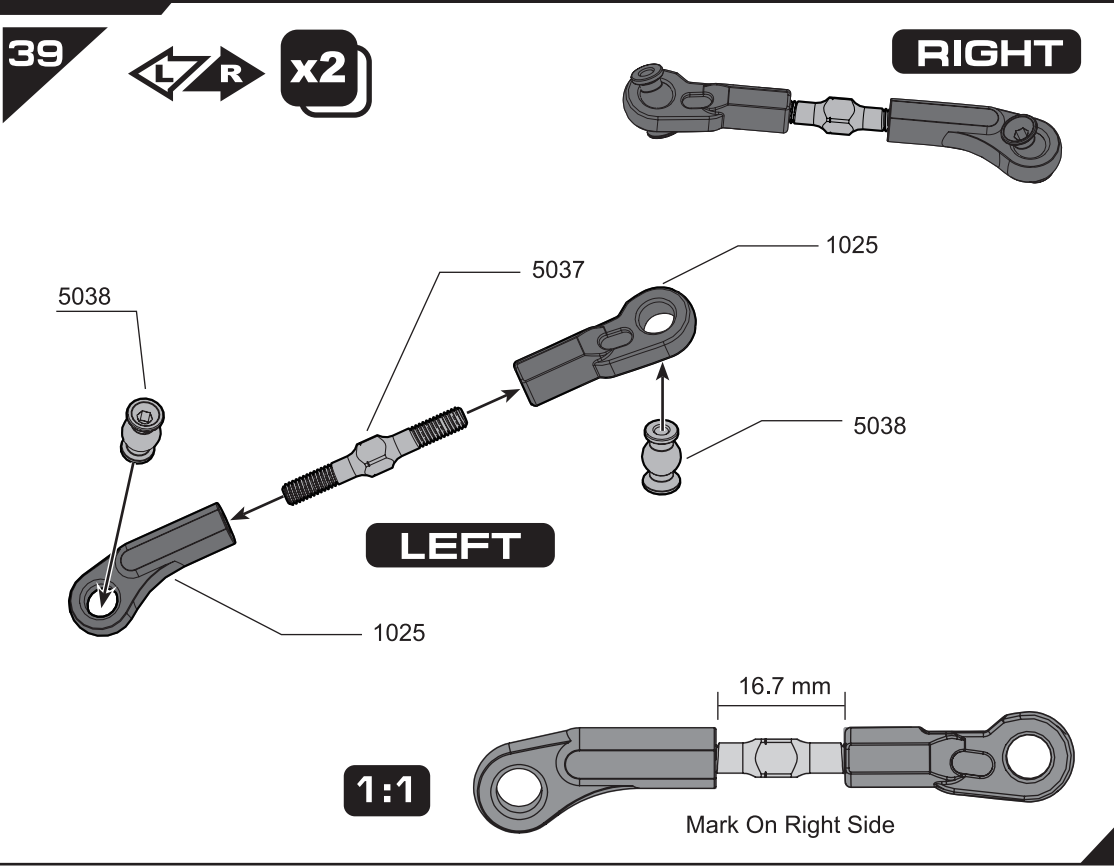
39

L/R **x2**

RIGHT



5037
Steering Turnbuckle
M4x40mm x 2

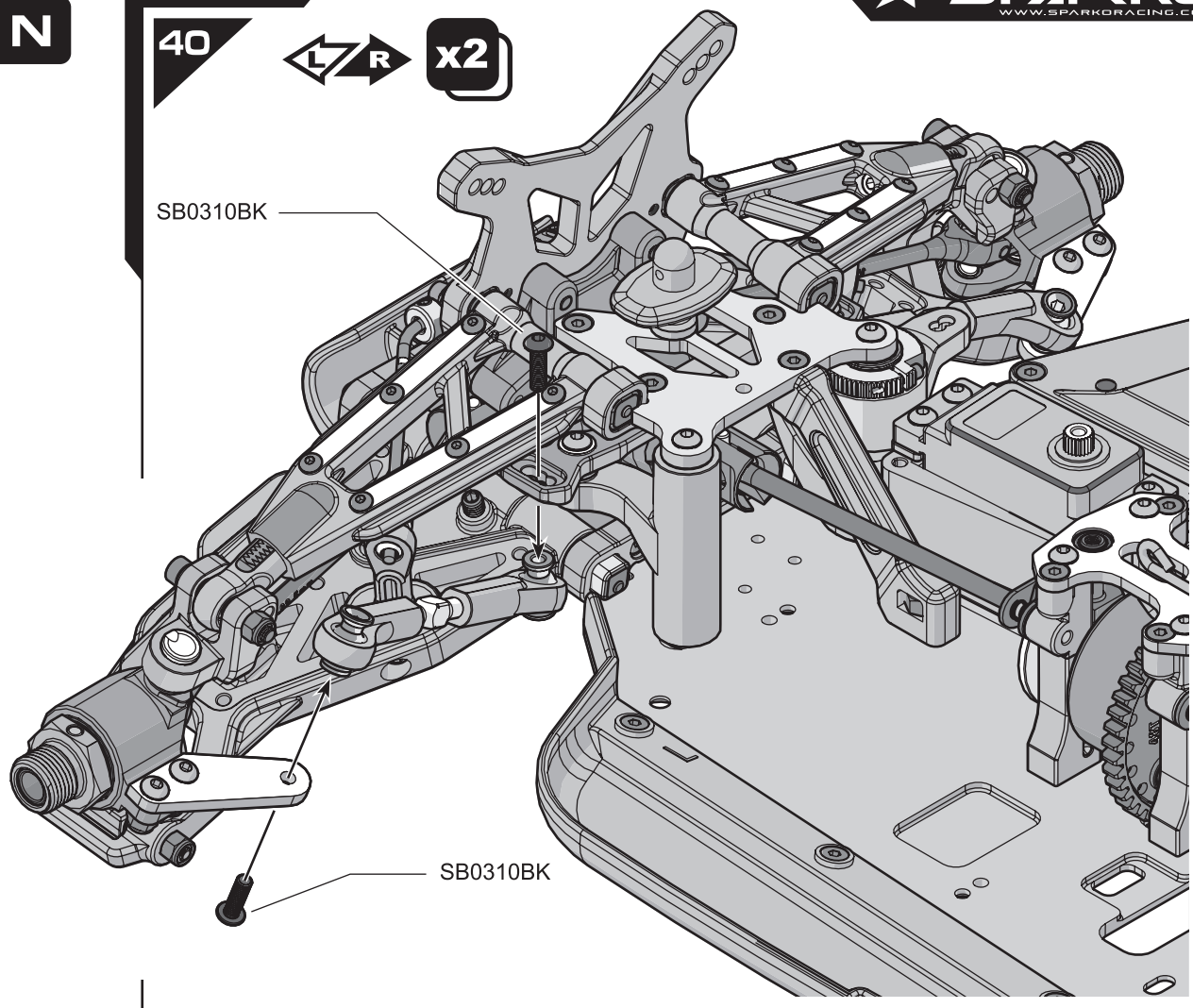


BAG N

40  **x2**



SB0310BK
Ball Screw
M3x10mm x 4



41



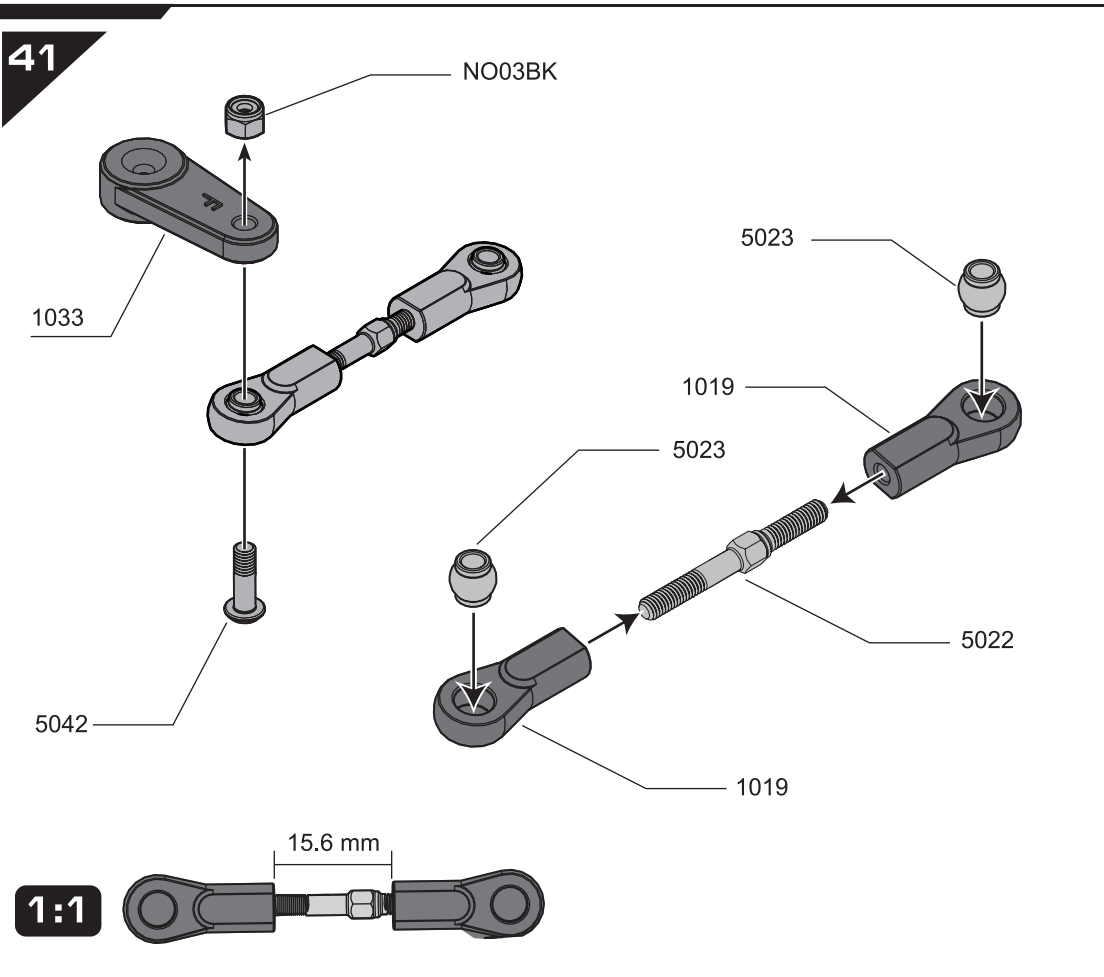
5042
Hex Shanked Button
M3x13.7mm x 1



5022
Servo Steering Turnbuckle
M3x30mm x 1



NO03BK
Nut Lock
M3 x 1



BAG N



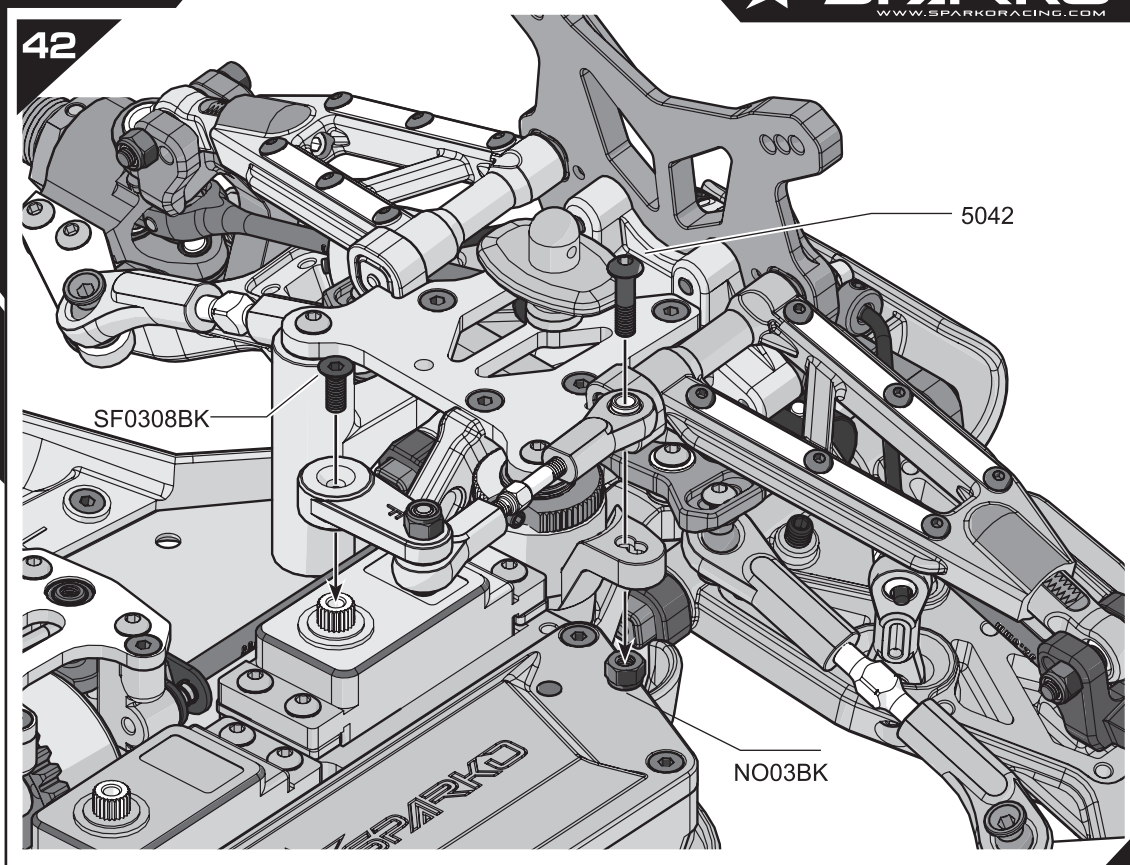
SF0308BK
Flat Screw
M3x8mm x 1



5042
Hex Shanked Button
M3x13.7mm x 1



NO03BK
Nut Lock
M3 x 1



BAG O



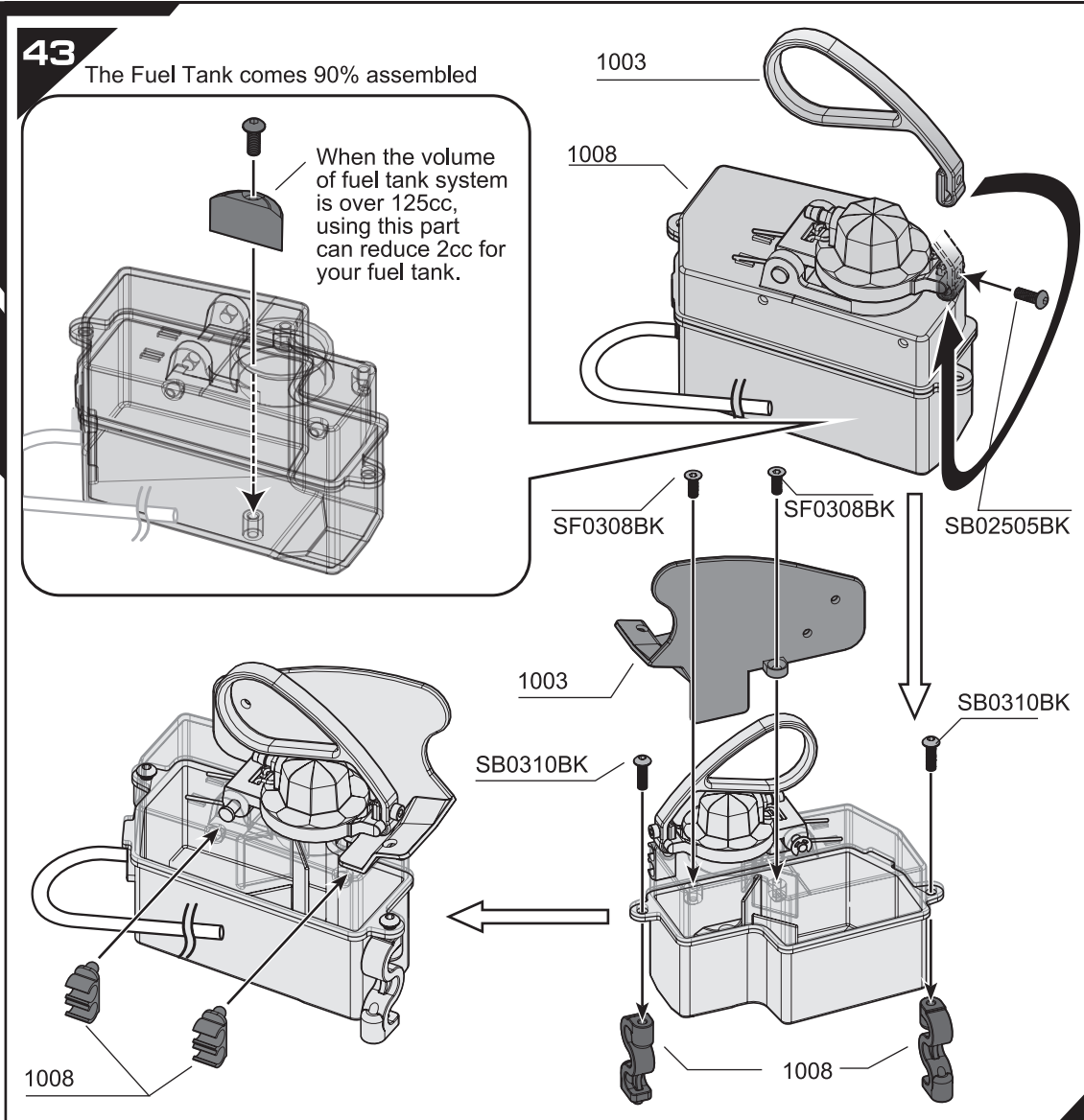
SF0308BK
Flat Screw
M3x8mm x 2



SB0310BK
Ball Screw
M3x10mm x 2



SB02505BK
Ball Screw
M2.5x5mm x 1

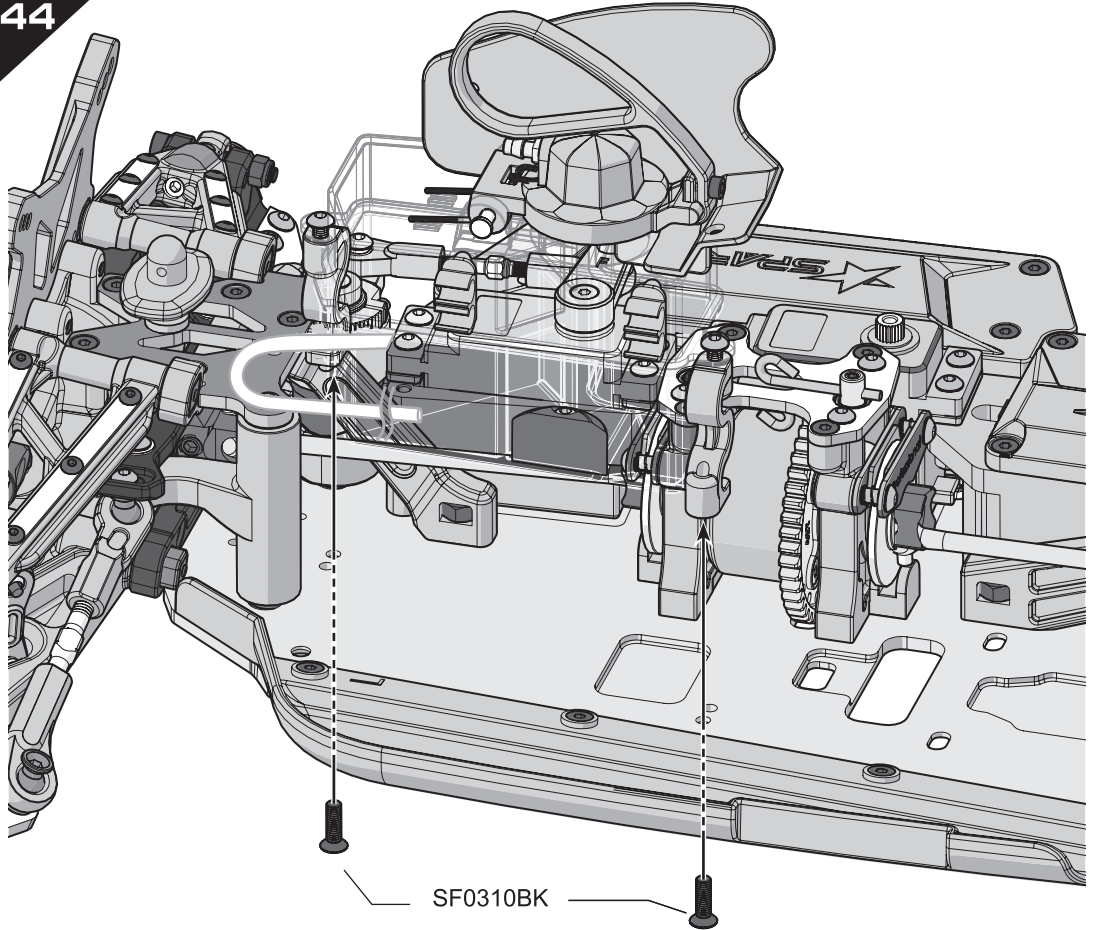


BAG O



SF0310BK
Flat Screw
M3x10mm x 2

44



BAG P

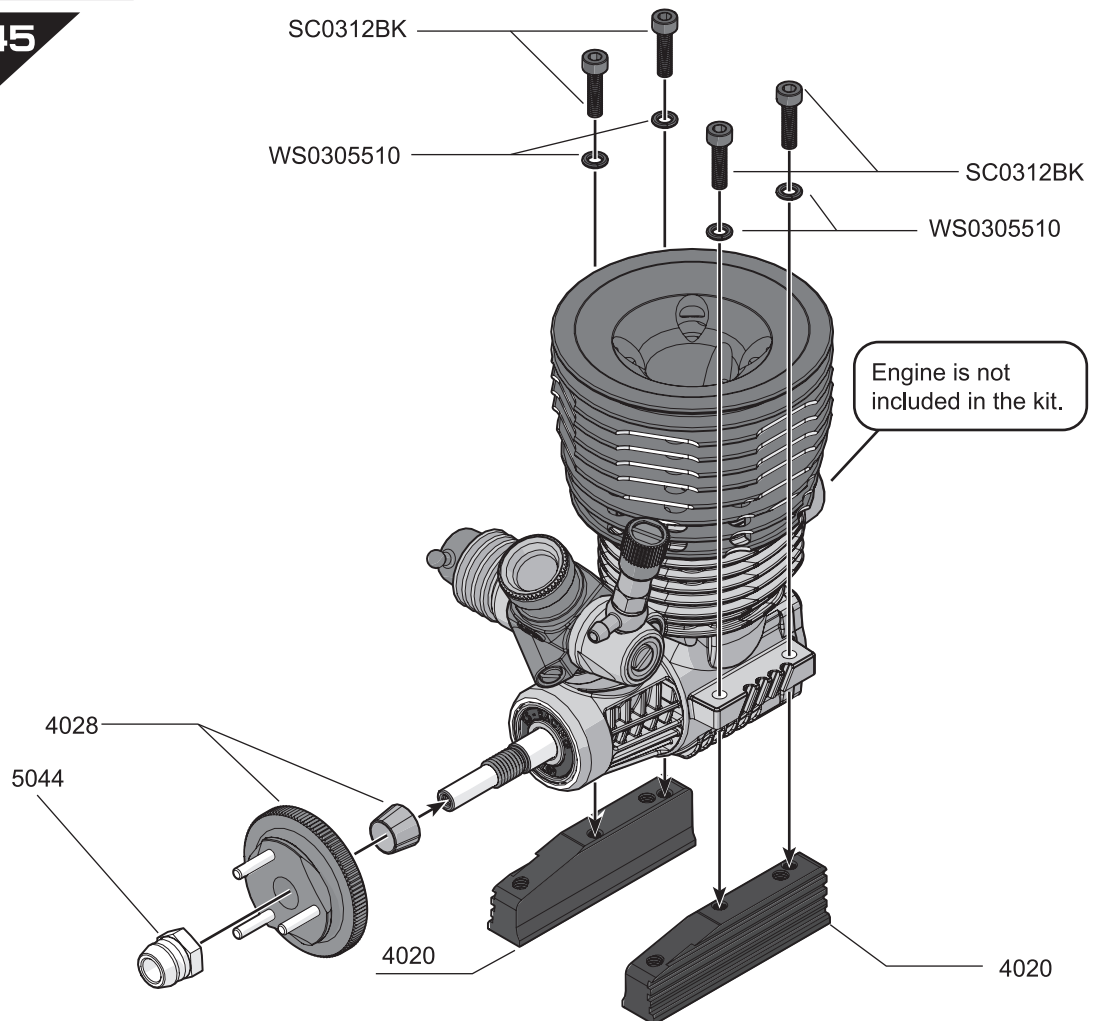


SC0312BK
Cap Screw
M3x12mm x 4



WS0305510
Spring Washer
M3x5.5x1mm x 4

45



BAG P



SC0308BK
Cap Screw M3x8mm x 1



WO030801
Shim 3x8x1mm x 1



WO050840
Shim 5x8xT0.4mm x 4



WO050880
Shim 5x8xT0.8mm x 1



BO051004
Ball Bearing
5x10x4mm x 2



5045
I-Head Screw Thin
M4x8mm x 4

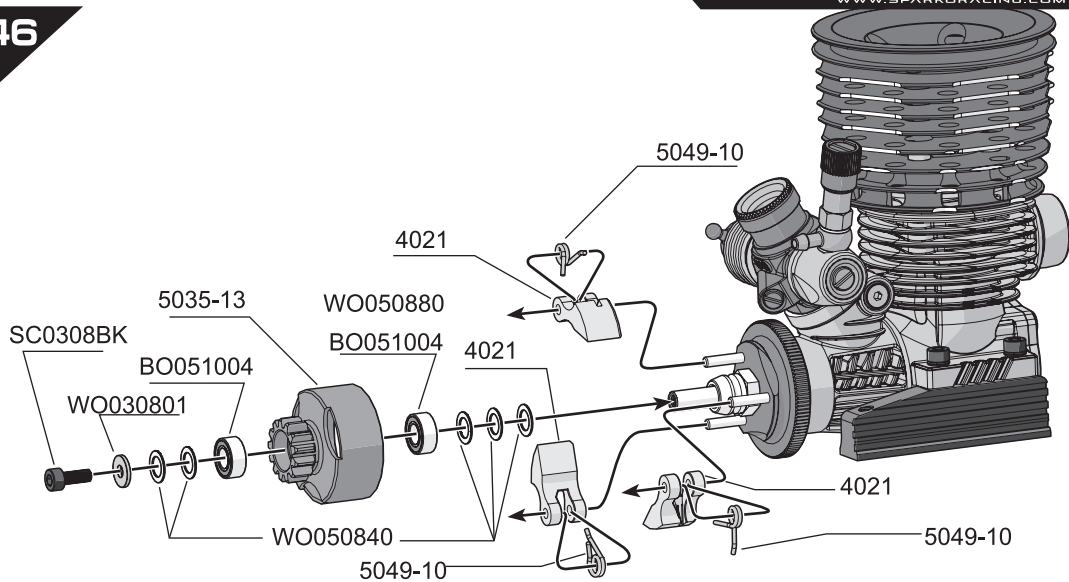


SS0404BK
Set Screw
M4x4mm x 1

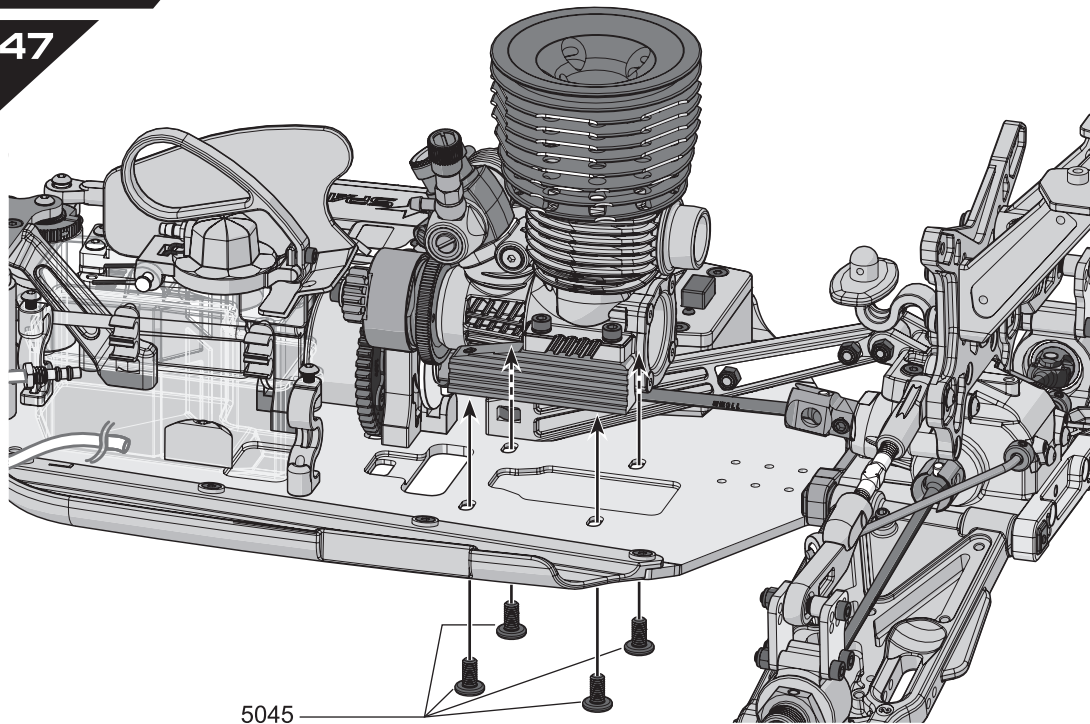


SF0408BK
Flat Screw
M4x8mm x 1

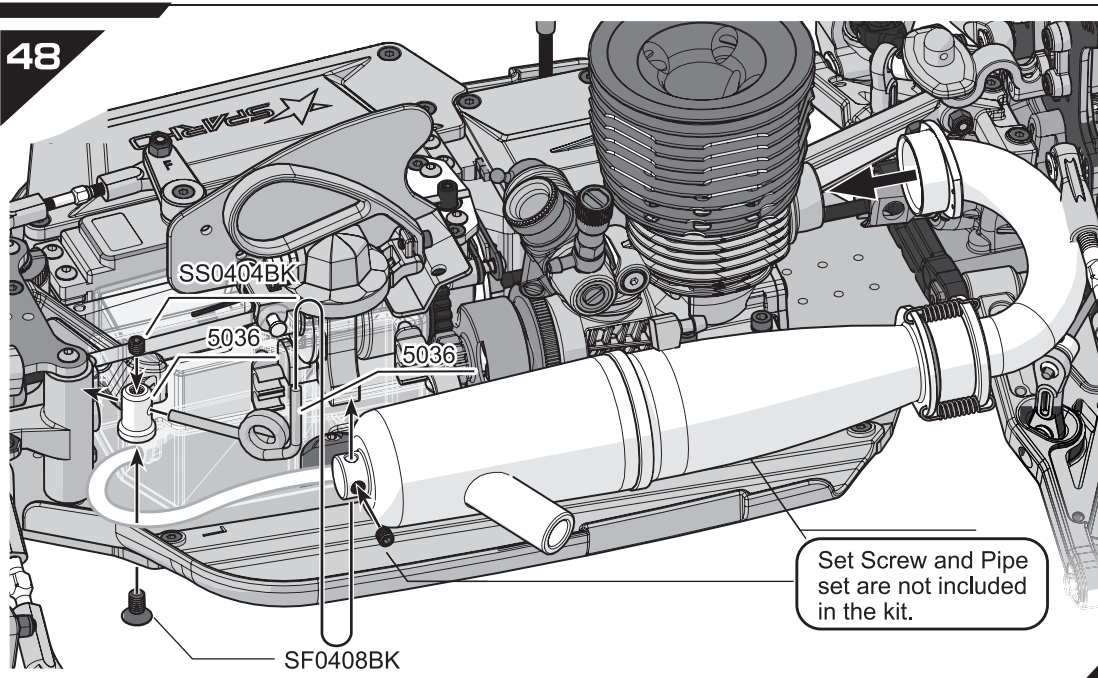
46



47



48



BAG Q

49



SB02505BK
Ball Screw
M2.5x5mm x 3



SS0303BK
Set Screw
M3x3mm x 6



5042
Hex Shank Button
M3x13.7mm x 1



0007
Throttle Rod
50mm x 1



0007
Throttle Rod
60mm x 2



0007
Brake Adjuster Knob x 2



0007
Throttle Rod Spring x 1



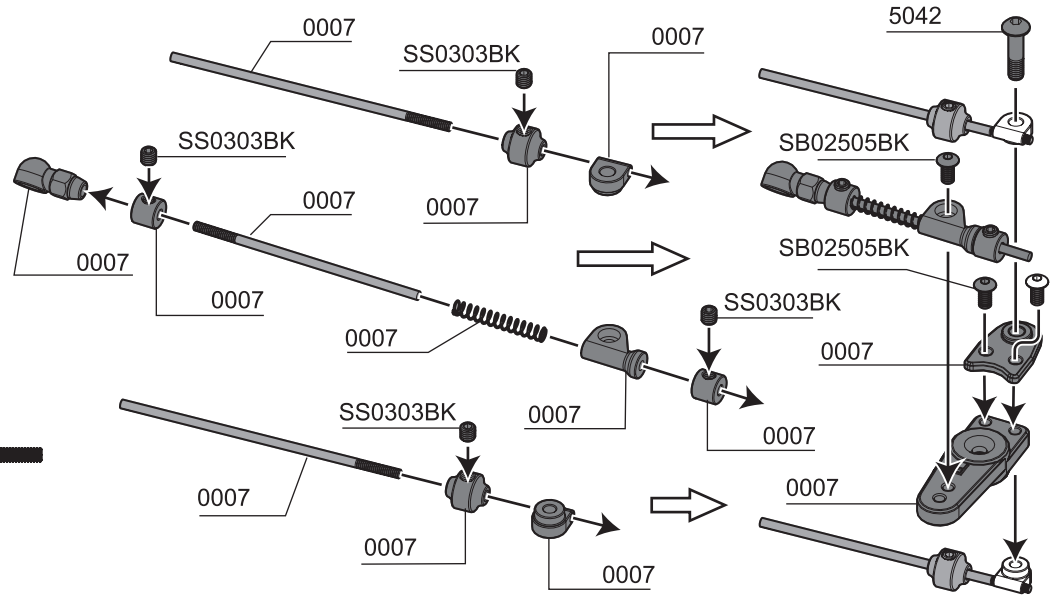
0007
Brake Spring x 2



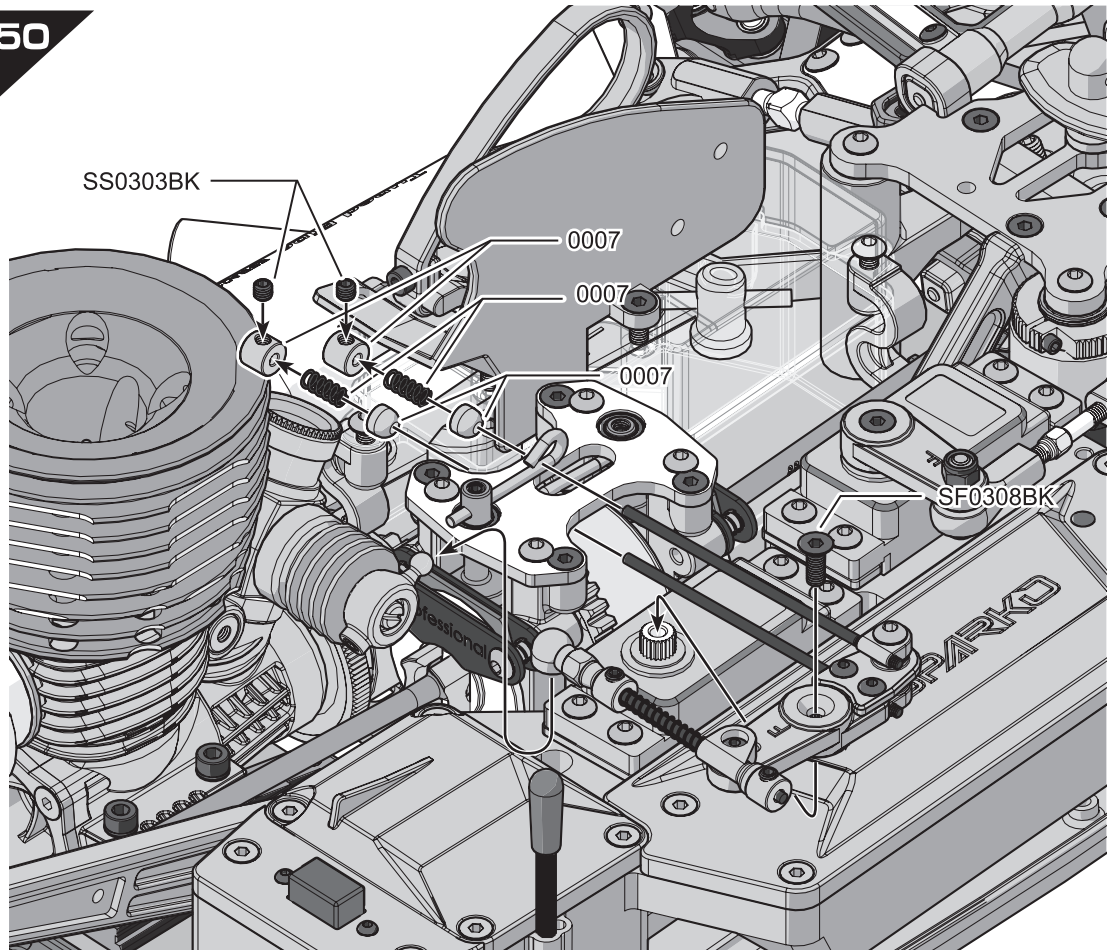
SF0308BK
Flat Screw
M3x8mm x 1



0007
Adjuster Knob x 4



50



51

F/R

x2

FRONT

x2

REAR



5040
Front Shock Shaft x 2



5041
Rear Shock Shaft x 2



NO025SL
Nut Lock M2.5mm x 4



1028
Shock Seal Washer
3.5X7X1.0mm x 4



1028
Shock Seal Washer
3.6X7X2.5mm x 8



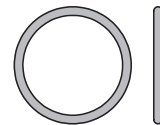
WO0260660
Shock Piston Washer
2.6x6x0.6mm x 4



1028
Shock Seal O-Ring x 8



2003
Shock seal O-Ring x 4



2004
Shock Spring Adjust
Nut O-Ring x4



SF02046 1.5 Hex x 4
Flat Screw M2.0x4.6mm



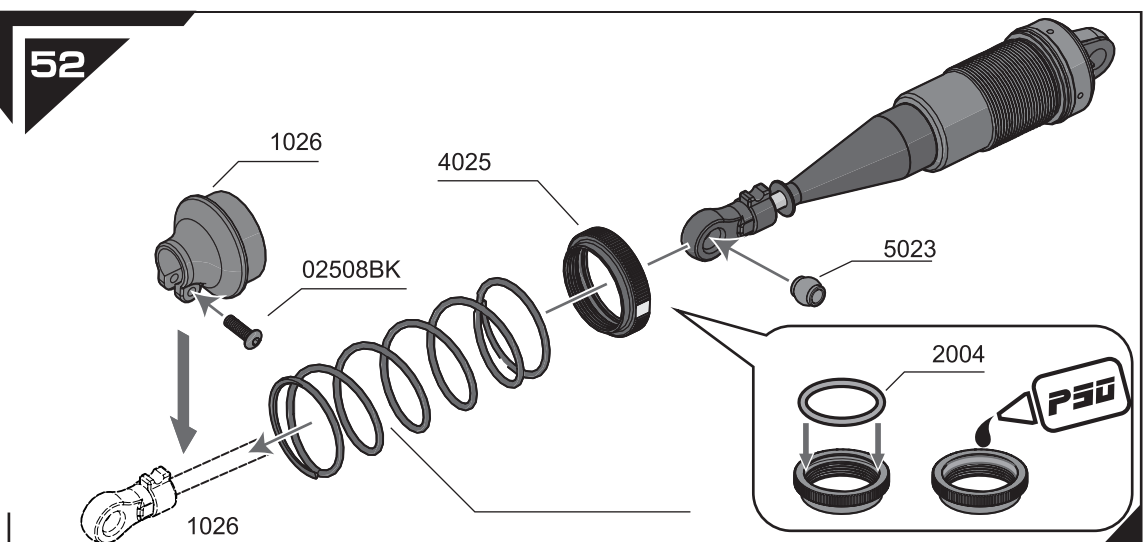
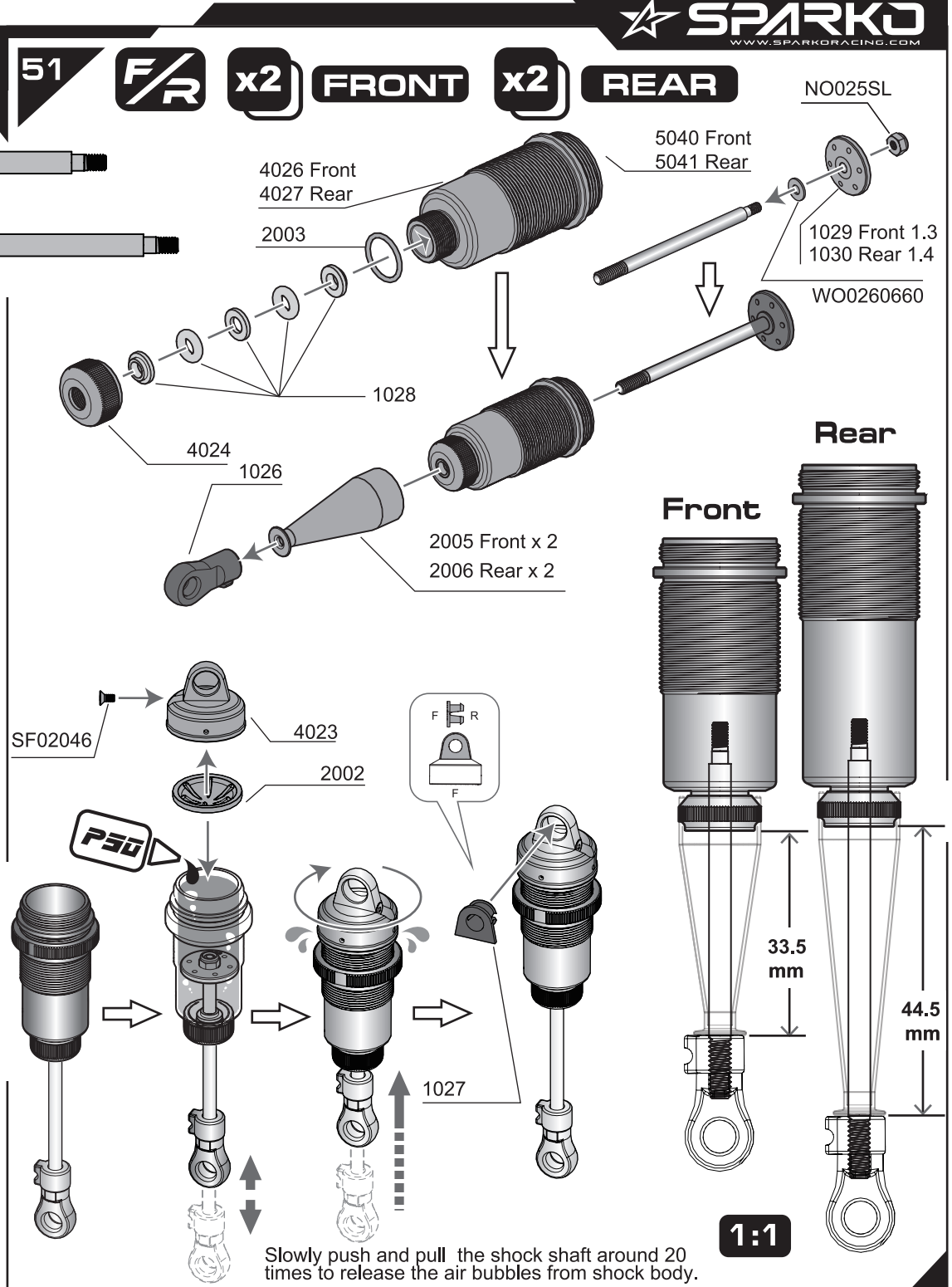
SB02508BK
Ball Screw
M2.5x8mm x 4



5052-H62
Front Shock Spring (Hard)
(L62 X Ø1.6 mm) x 2



5053-M80
Rear Shock Spring (Mid)
(L80 X Ø1.6 mm) x2

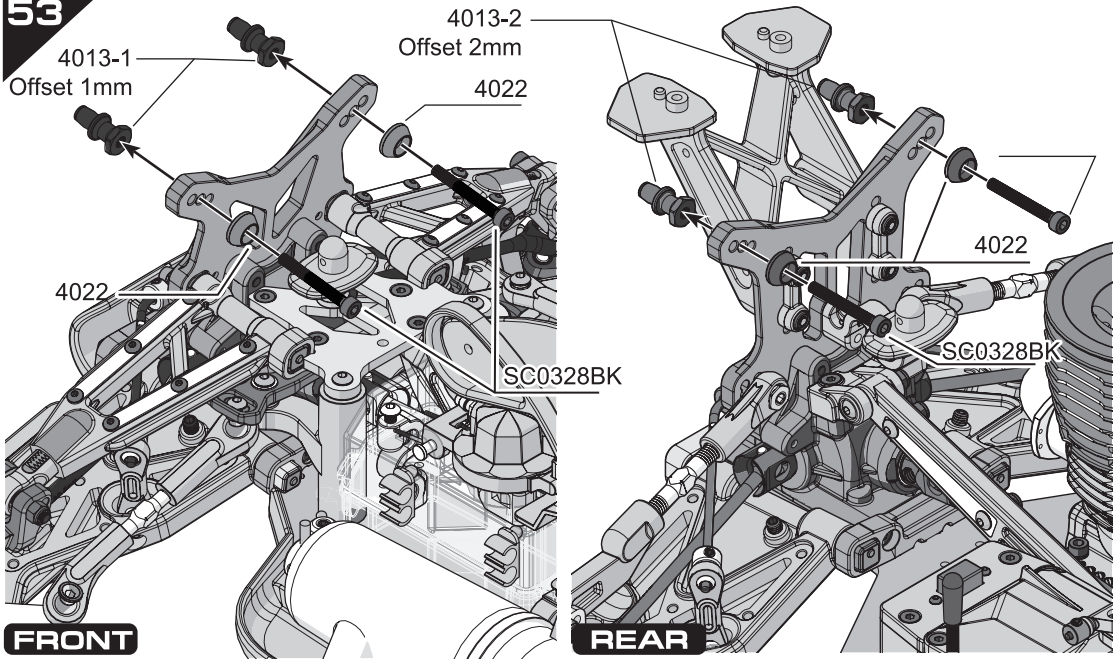


BAG R



SC0328BK
Cap Screw M3x28mm x 4

53



NF03BK
Flanged Locknut M3 x 4

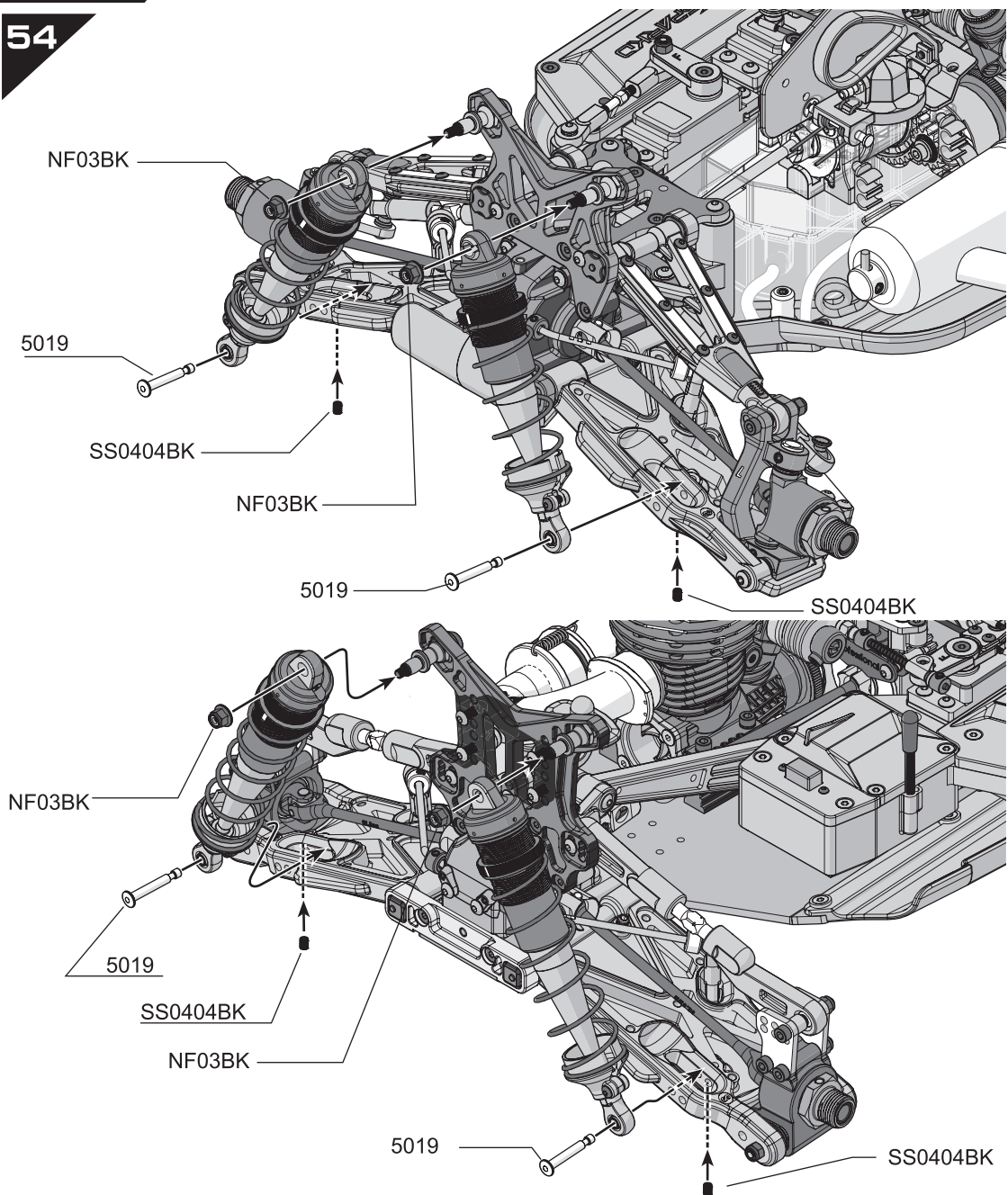


5019
Shock Pins x 4



SS0404BK
Set Screw M4x4mm x 4

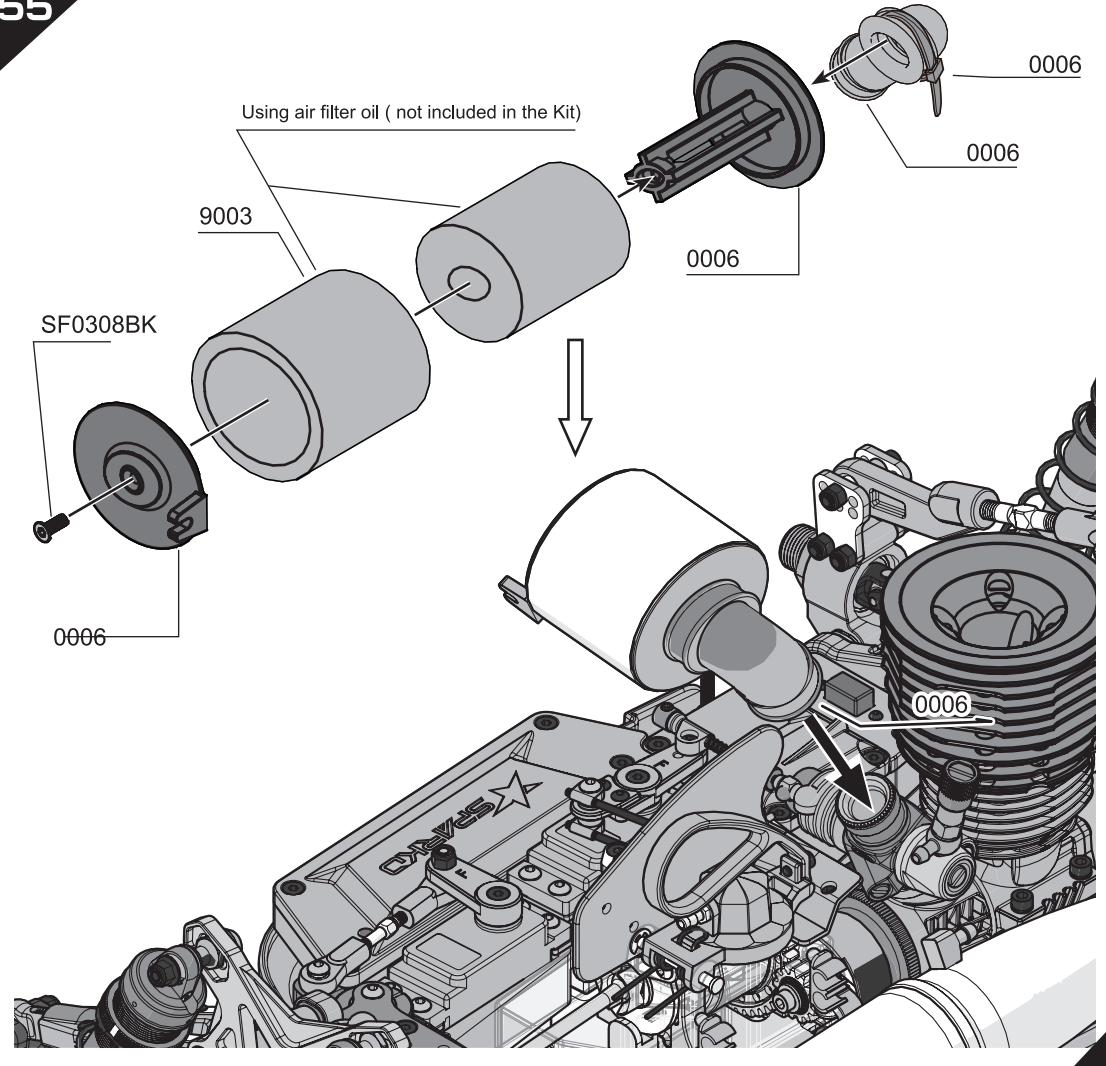
54



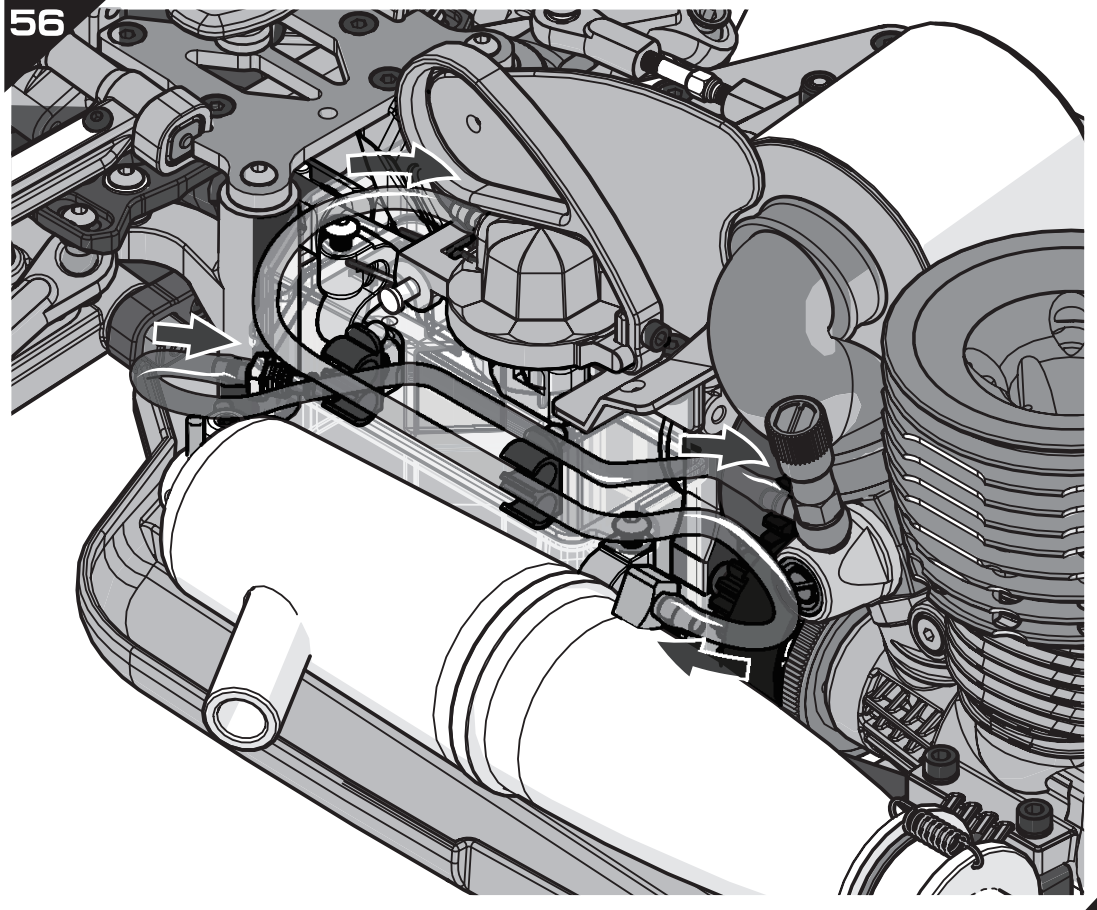
55

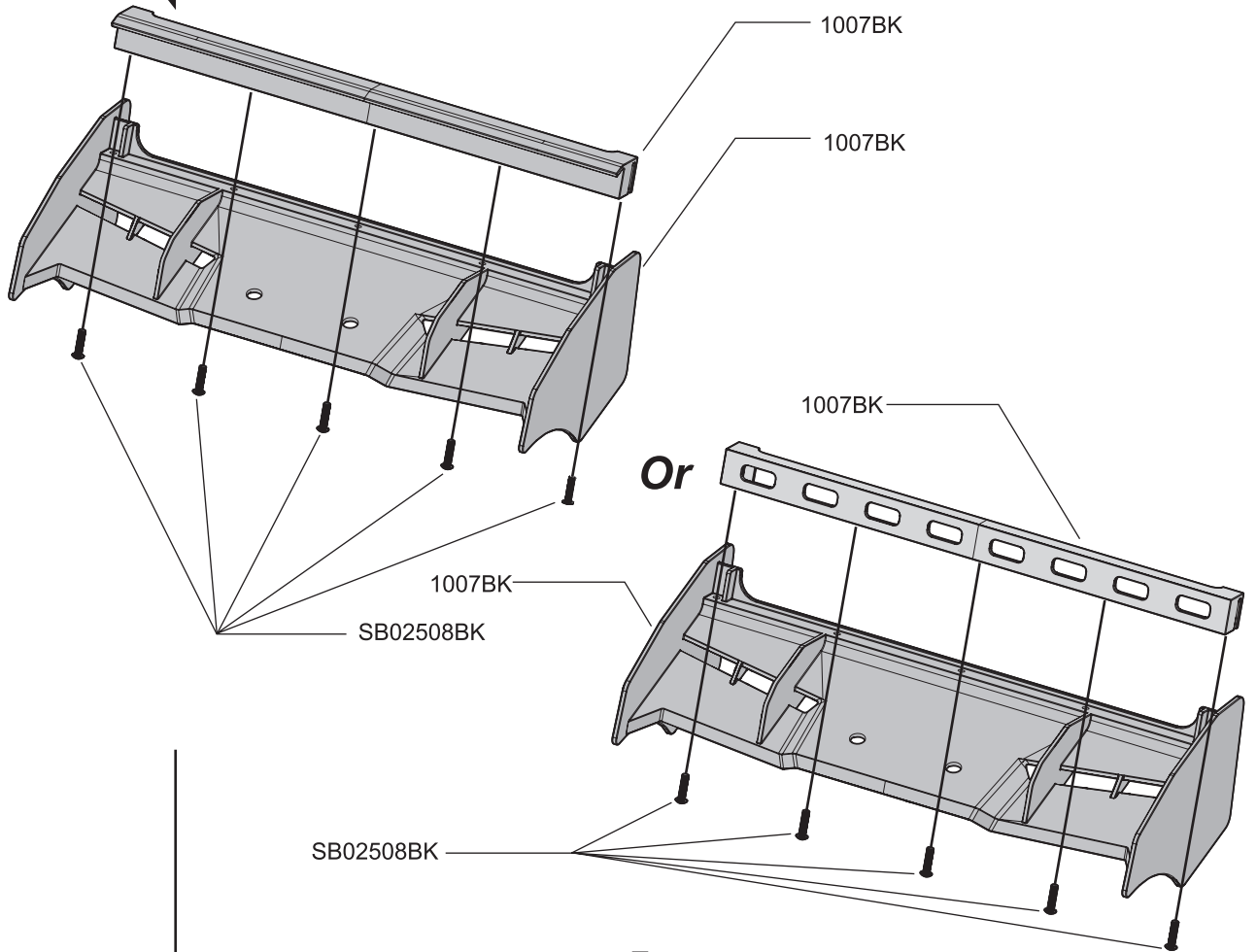


SF0308BK
Flat Screw M3x8mm x 1



56





SB02508BK



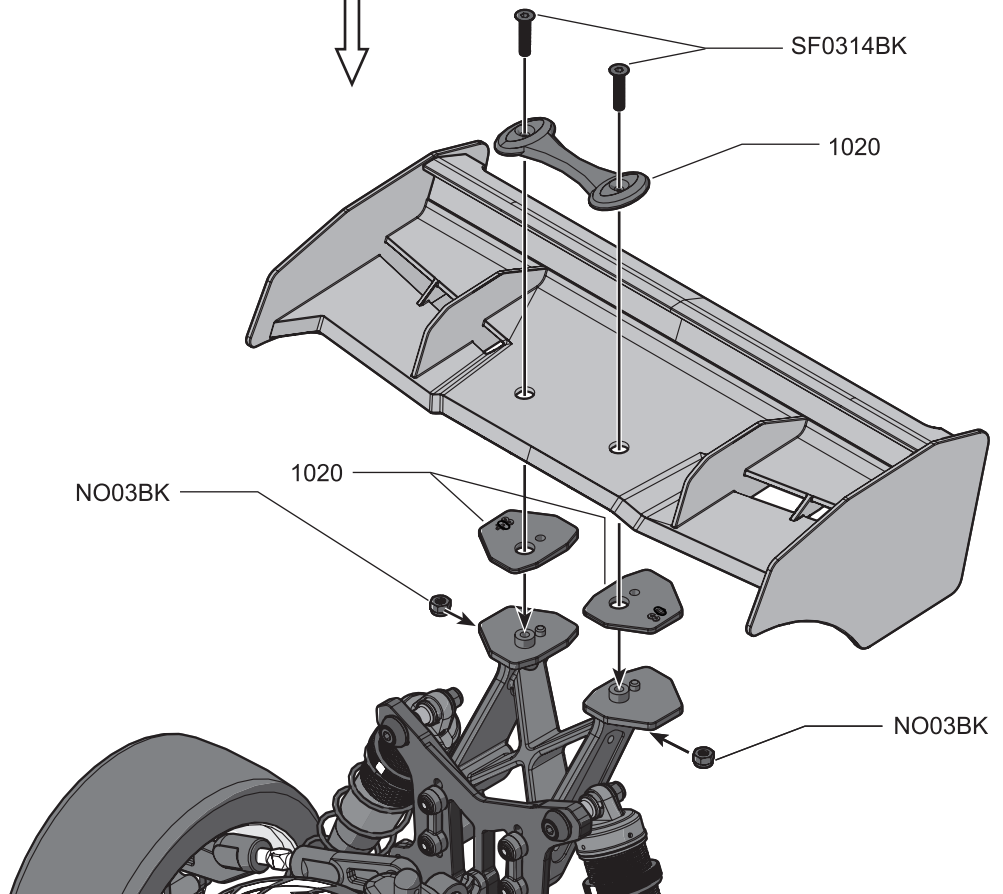
SB02508BK
Ball Screw M2.5x8mm x5



SF0314BK
Flat Screw M3x14mm x 2



NO03BK
Nut Lock M3 x 2



SF0314BK

1020

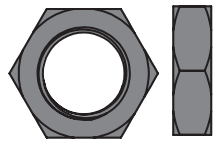
NO03BK

1020

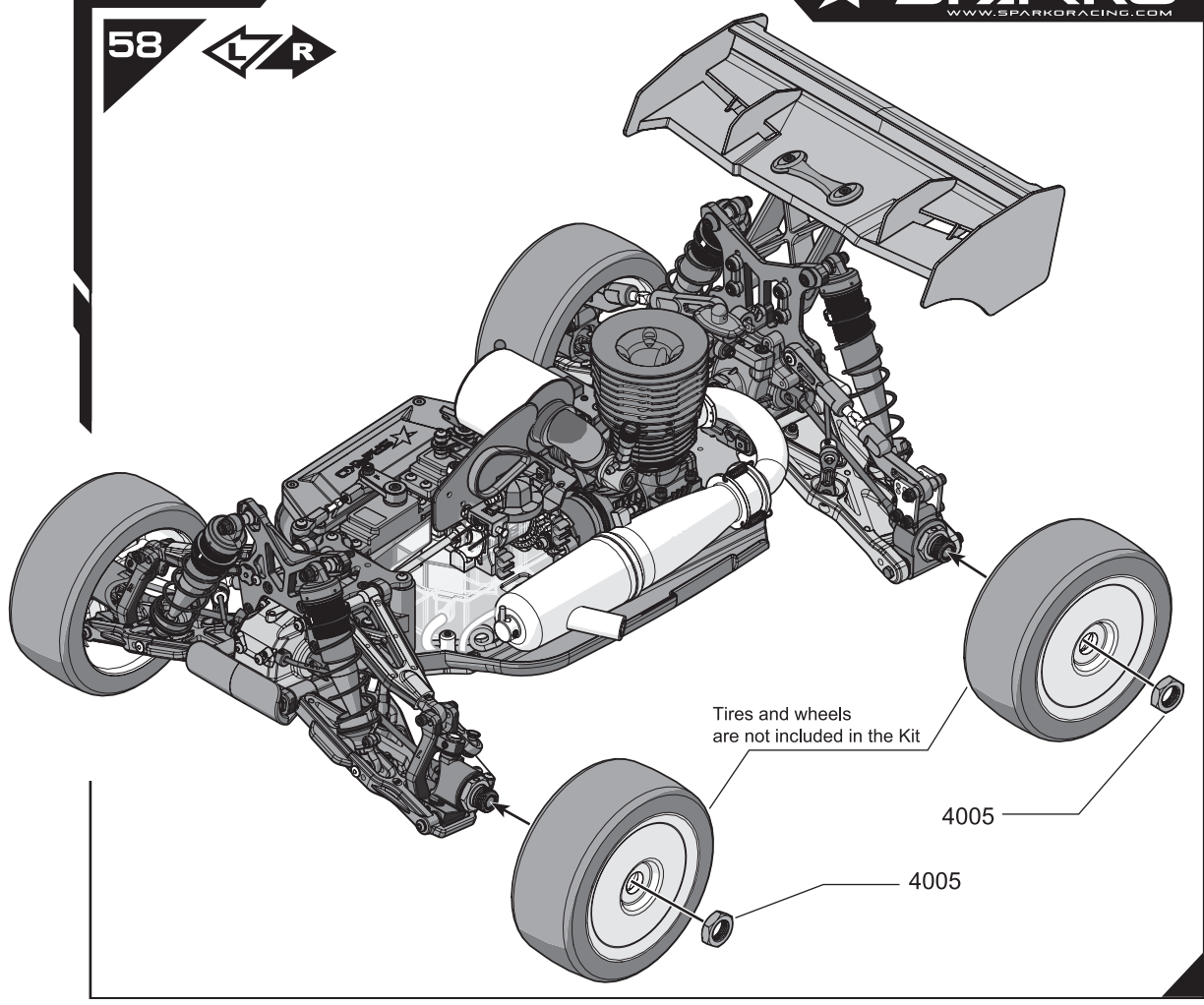
NO03BK

BAG J

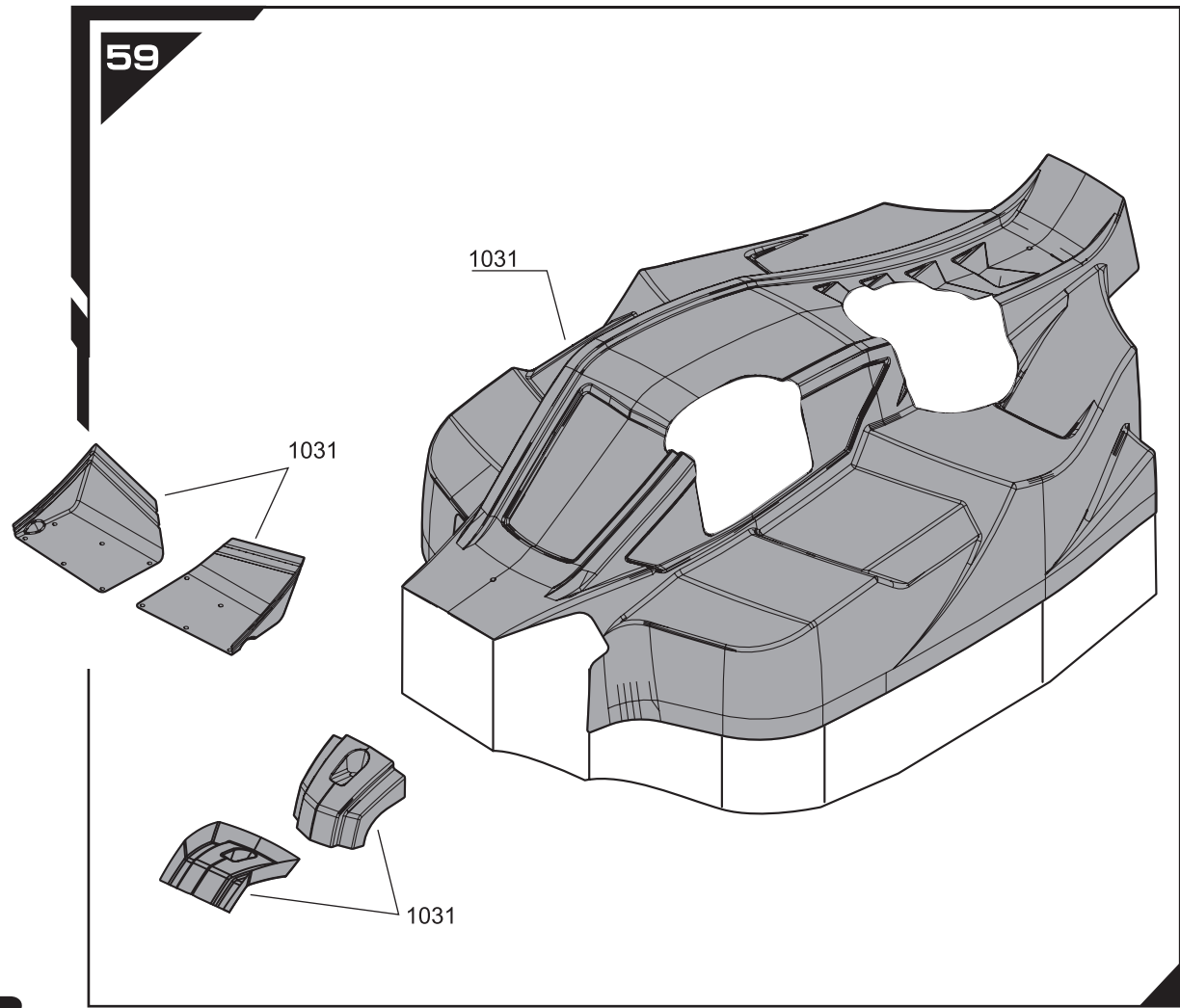
58 



4005
Aluminum Wheel Nut
(Hard Anodizing) x 4

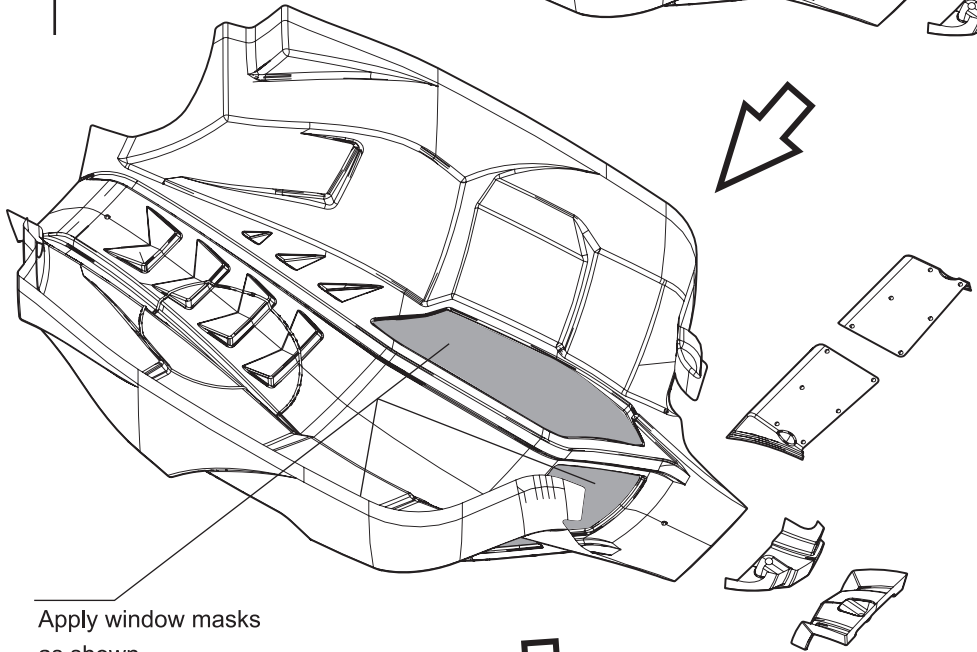
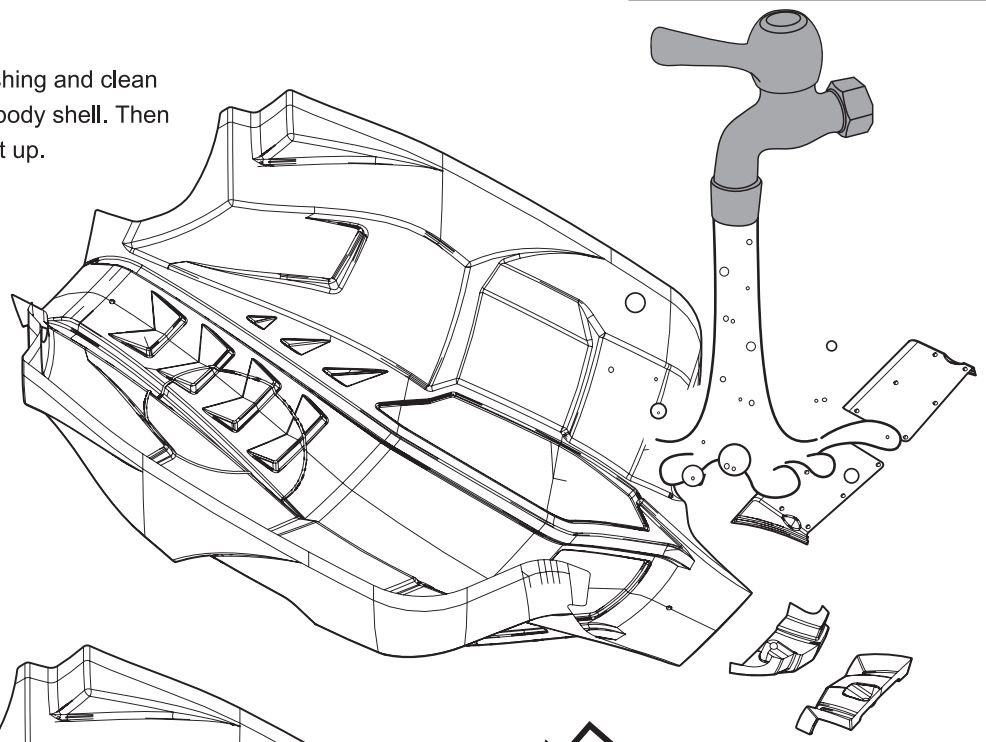


59

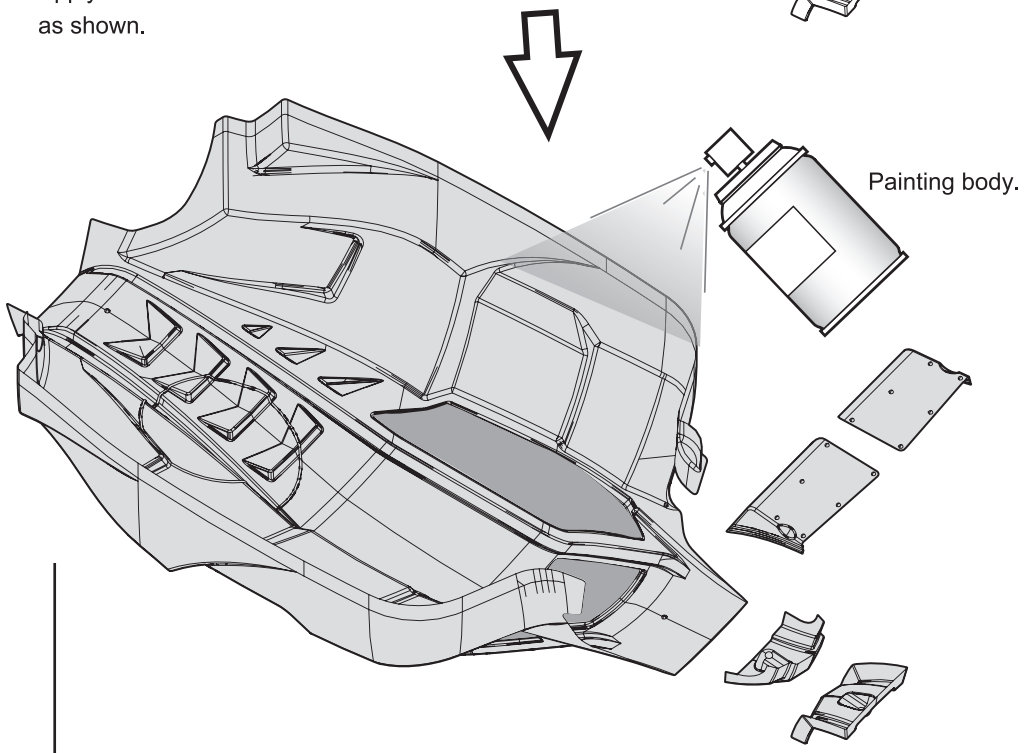


60

Washing and clean the body shell. Then dry it up.

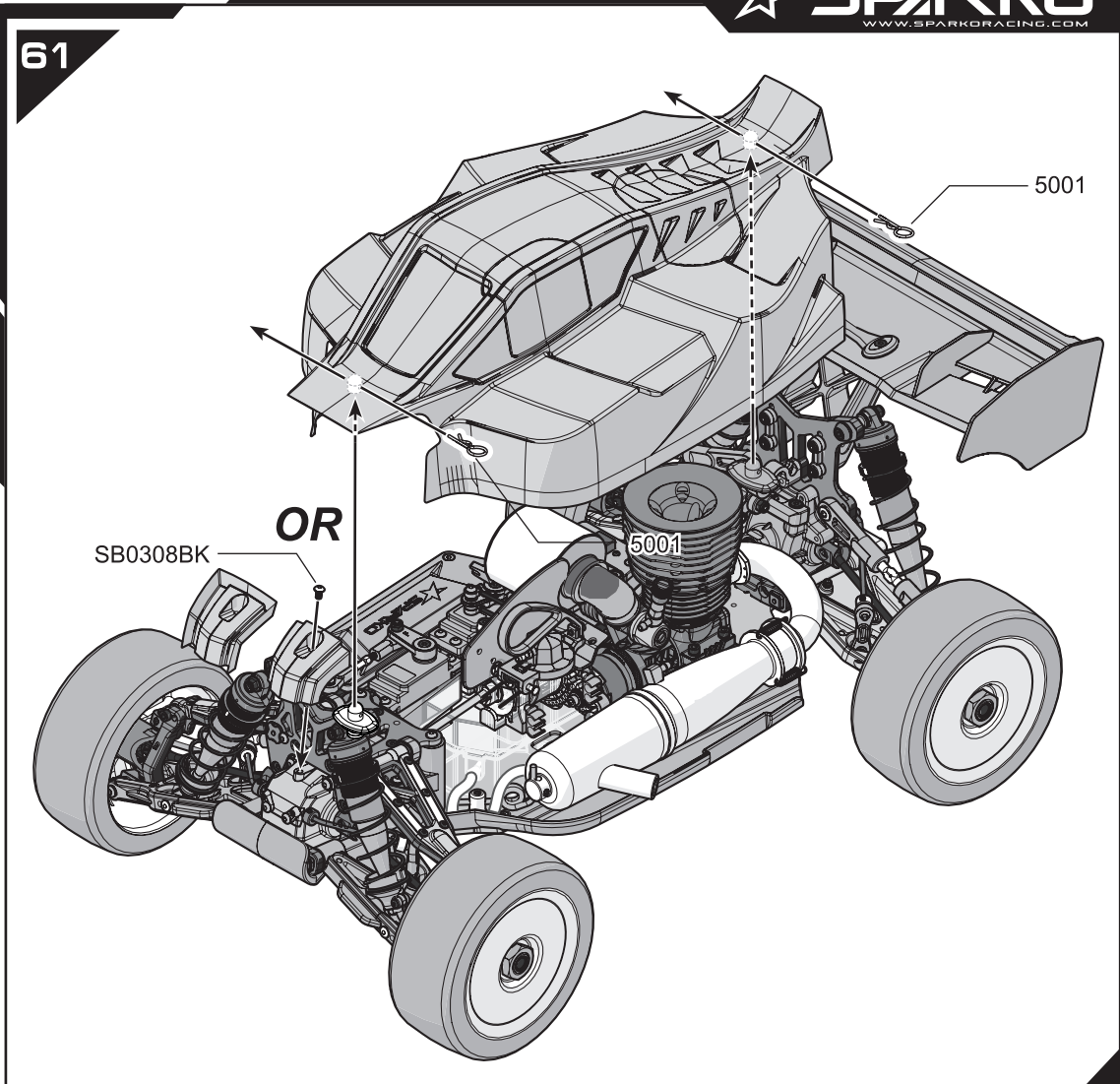


Apply window masks as shown.

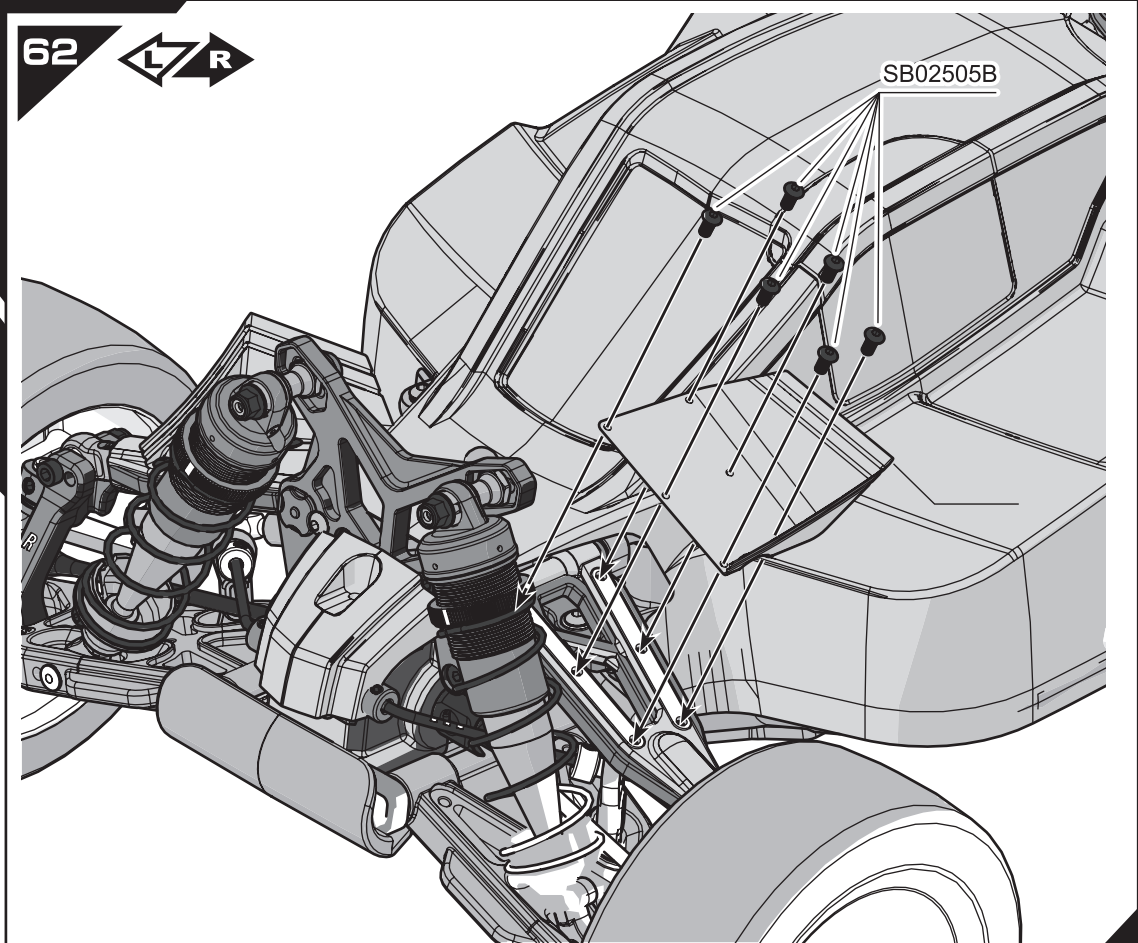


Painting body.

BAG A



BAG F



SB0308BK
Ball Screw M3x8mm x1



SB02505B
Ball Screw M2.5x5mm x 12

Engine	Plug	Muffler	Clutch Spring	Clutch Shoe	Tire	Tire Insert	Wheel	Body	Fuel
				\varnothing ___ x ___	Model: _____ Compounds: _____				

● Diff Gear Set-Up

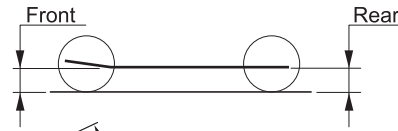
	Front	Center	Rear
Diff. Fluid	# 10000 43 x 13 _T	# 10000 46 x 13 _T	# 5000 43 x 13 _T

● Shock Set-Up

Cap <input checked="" type="checkbox"/> Bladder <input type="checkbox"/> Emulsion	Front	Rear
Oil Brand: _____	# 600	# 600
Spring Collar Spacer	4.3 mm	6 mm
Pistons	\varnothing 1.3 x 6	\varnothing 1.4 x 6
Spring	H62	M80

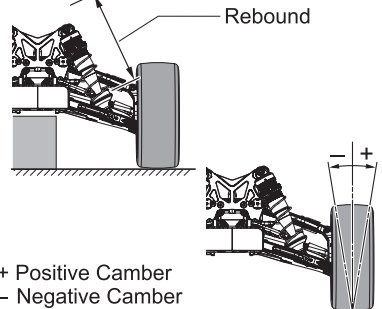
● Ride Height

Front	Rear
22 mm	25 mm



● Rebound

Front	Rear
103 mm	125 mm



● Camber Angle

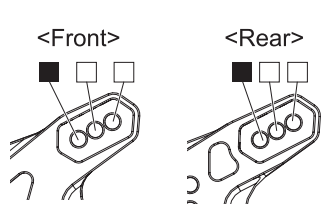
Front	Rear
+ 0 °	+ 3 °

+ Positive Camber
- Negative Camber

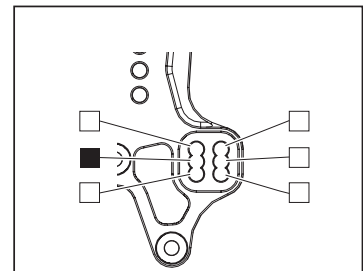
● Wheelbase _____ mm

● Track Width _____ mm

● Shock Mount Position



● Rear Upper Arm Position



Sus. Arm

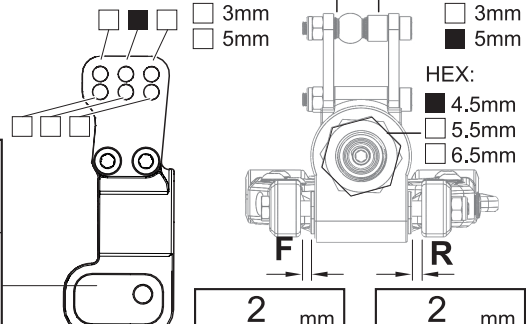
Front	<input type="checkbox"/> In <input checked="" type="checkbox"/> Out
Rear	<input type="checkbox"/> In <input checked="" type="checkbox"/> Out

● Rear Hub

<input checked="" type="checkbox"/> Plastic
<input type="checkbox"/> Aluminum

Hub Carrier Bush
 Plastic

<input type="checkbox"/>	<input checked="" type="checkbox"/>	<input type="checkbox"/>
<input type="checkbox"/>	<input type="checkbox"/>	<input type="checkbox"/>



● Arm

Front	Rear
<input type="checkbox"/> Soft <input checked="" type="checkbox"/> Hard (Std.) <input type="checkbox"/>	<input type="checkbox"/> Soft <input checked="" type="checkbox"/> Hard (Std.) <input type="checkbox"/>

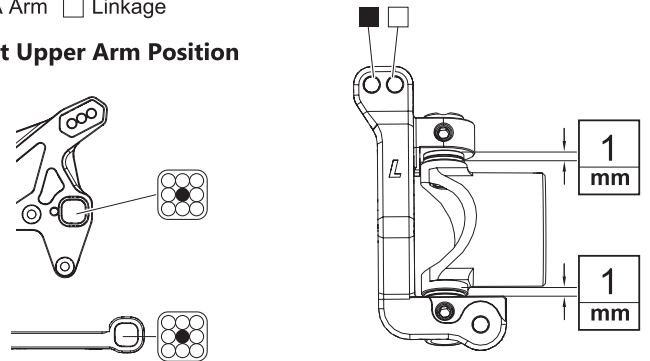
● Front Hub Carrier

<input checked="" type="checkbox"/> Plastic <input type="checkbox"/> Aluminum
<input checked="" type="checkbox"/> 16° <input type="checkbox"/> 20° <input type="checkbox"/>

● Front Upper Arm

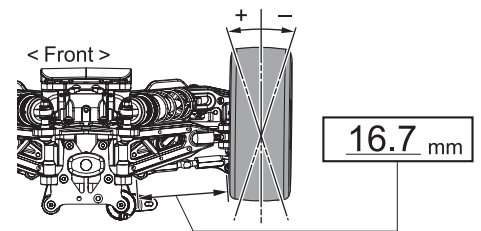
A Arm Linkage

● Front Upper Arm Position



● Toe Angle

Front	
+	0°
-	1°



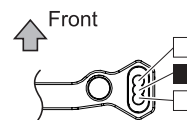
● Front Toe-In



● Rear Toe-In



● Steering Plate



● Sway Bar

Front	Rear
\varnothing 2.5mm	\varnothing 2.8mm
0 mm	0 mm

● Wing

<input type="checkbox"/> High Force	<input type="checkbox"/>
<input checked="" type="checkbox"/> Holes	<input type="checkbox"/>
<input type="checkbox"/> Without	<input type="checkbox"/>

● Wing Position / Angle

<input type="checkbox"/> H	<input type="checkbox"/>
<input type="checkbox"/> M	<input type="checkbox"/>
<input checked="" type="checkbox"/> L	<input type="checkbox"/>
<input type="checkbox"/> H	<input type="checkbox"/>
<input type="checkbox"/> M	<input type="checkbox"/>
<input checked="" type="checkbox"/> L	<input type="checkbox"/>
	<input type="checkbox"/> 0°
	<input type="checkbox"/> +1.5°
	<input checked="" type="checkbox"/> +3°

Notes

Engine	Plug	Muffler	Clutch Spring	Clutch Shoe	Tire	Tire Insert	Wheel	Body	Fuel
			φ ___ x ___		Model:				
					Compounds:				

Diff Gear Set-Up

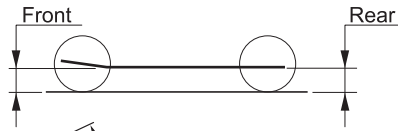
	Front	Center	Rear
Diff. Fluid	#	#	#
	___ x ___ T	___ x ___ T	___ x ___ T

Shock Set-Up

Cap <input type="checkbox"/> Bladder <input type="checkbox"/> Emulsion	Front	Rear
Oil Brand: _____	#	#
Spring Collar Spacer	mm	mm
Pistons	φ ___ x ___	φ ___ x ___
Spring		

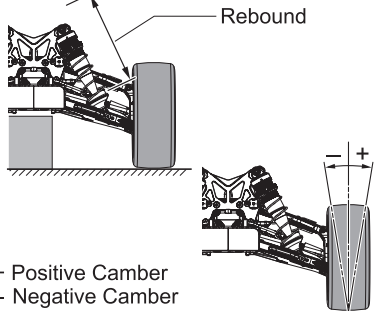
Ride Height

Front	Rear
mm	mm



Rebound

Front	Rear
mm	mm



Camber Angle

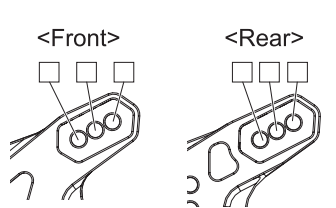
Front	Rear
+ °	+ °
- °	- °

+ Positive Camber
- Negative Camber

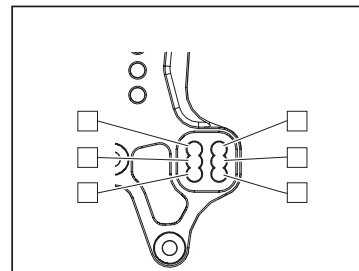
Wheelbase _____ mm

Track Width _____ mm

Shock Mount Position



Rear Upper Arm Position



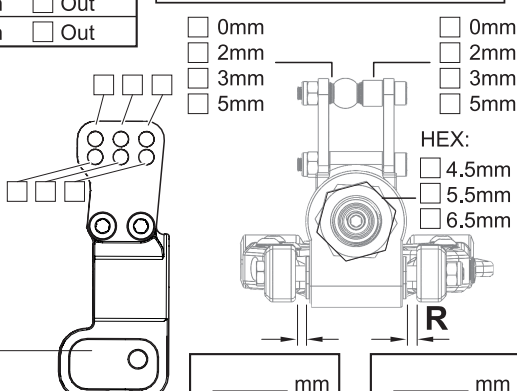
Sus. Arm

Front	<input type="checkbox"/> In <input type="checkbox"/> Out
Rear	<input type="checkbox"/> In <input type="checkbox"/> Out

Rear Hub

- Plastic
- Aluminum

Hub Carrier Bush	<input type="checkbox"/> Plastic
	<input type="checkbox"/> _____
	<input type="checkbox"/> _____
	<input type="checkbox"/> _____



Arm

Front	Rear
<input type="checkbox"/> Soft	<input type="checkbox"/> Soft
<input type="checkbox"/> Hard (Std.)	<input type="checkbox"/> Hard (Std.)
<input type="checkbox"/> _____	<input type="checkbox"/> _____

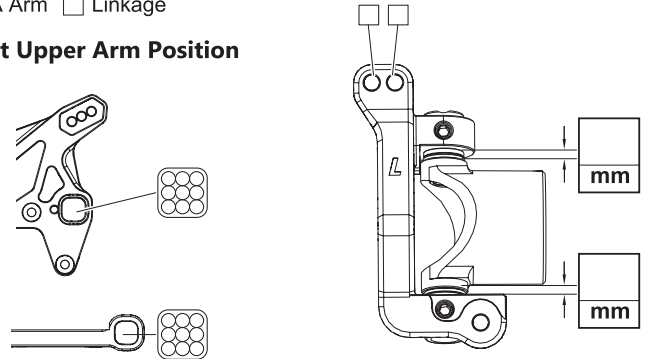
Front Hub Carrier

<input type="checkbox"/> Plastic	<input type="checkbox"/> Aluminum
<input type="checkbox"/> 16°	<input type="checkbox"/> 20° <input type="checkbox"/> _____°

Front Upper Arm

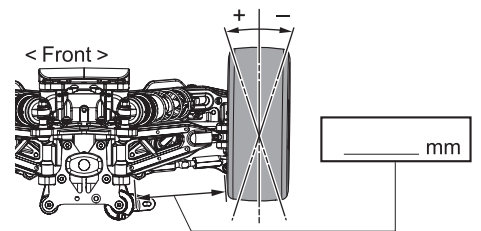
- A Arm
- Linkage

Front Upper Arm Position



Toe Angle

Front	
+	○
-	○



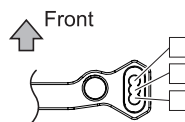
Front Toe-In



Rear Toe-In



Steering Plate



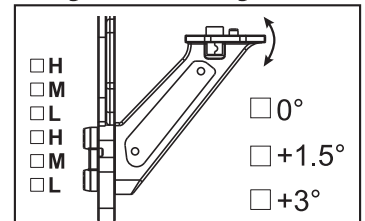
Sway Bar

Front	Rear
φ	φ
mm	mm

Wing

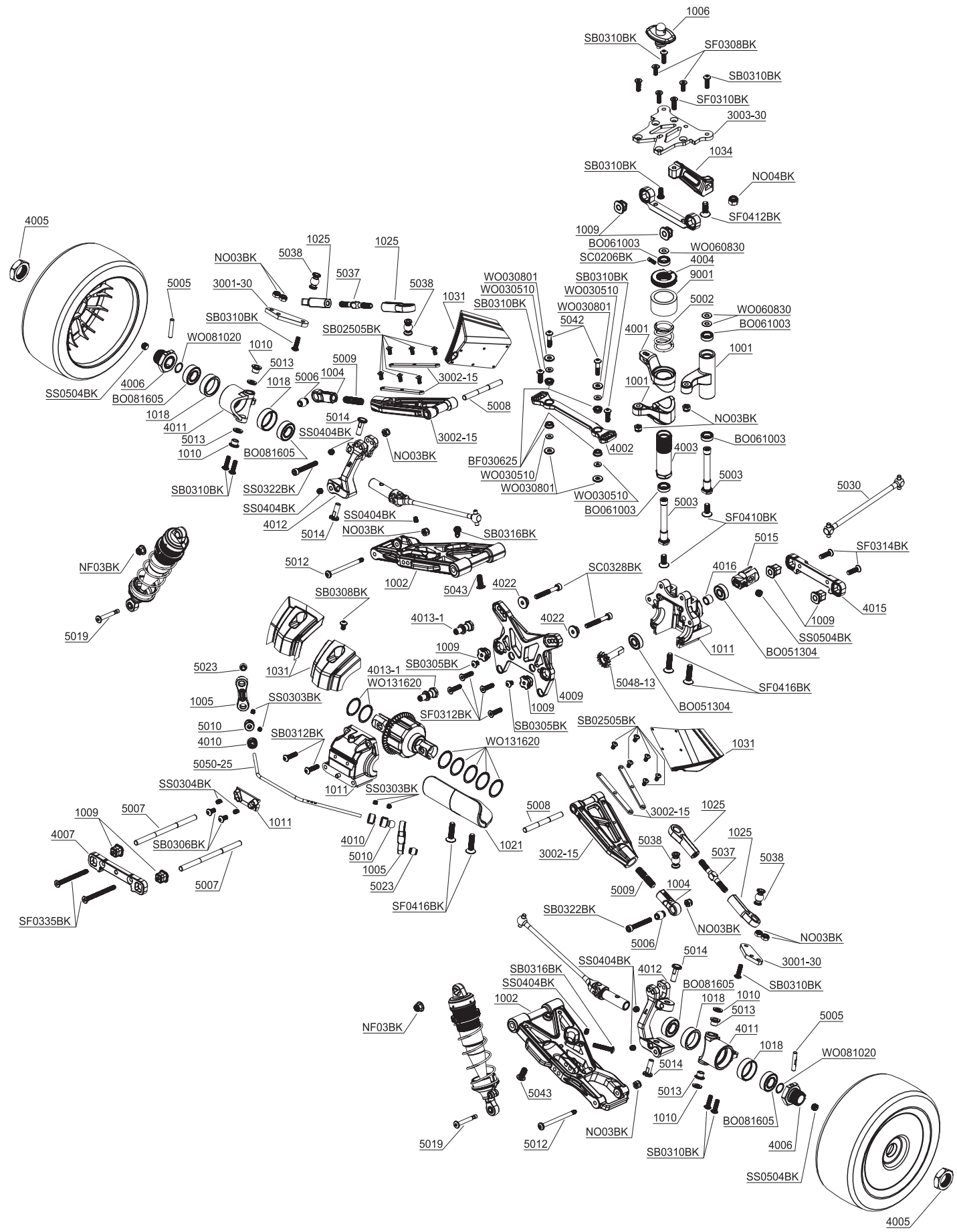
- High Force
- Holes
- Without

Wing Position / Angle

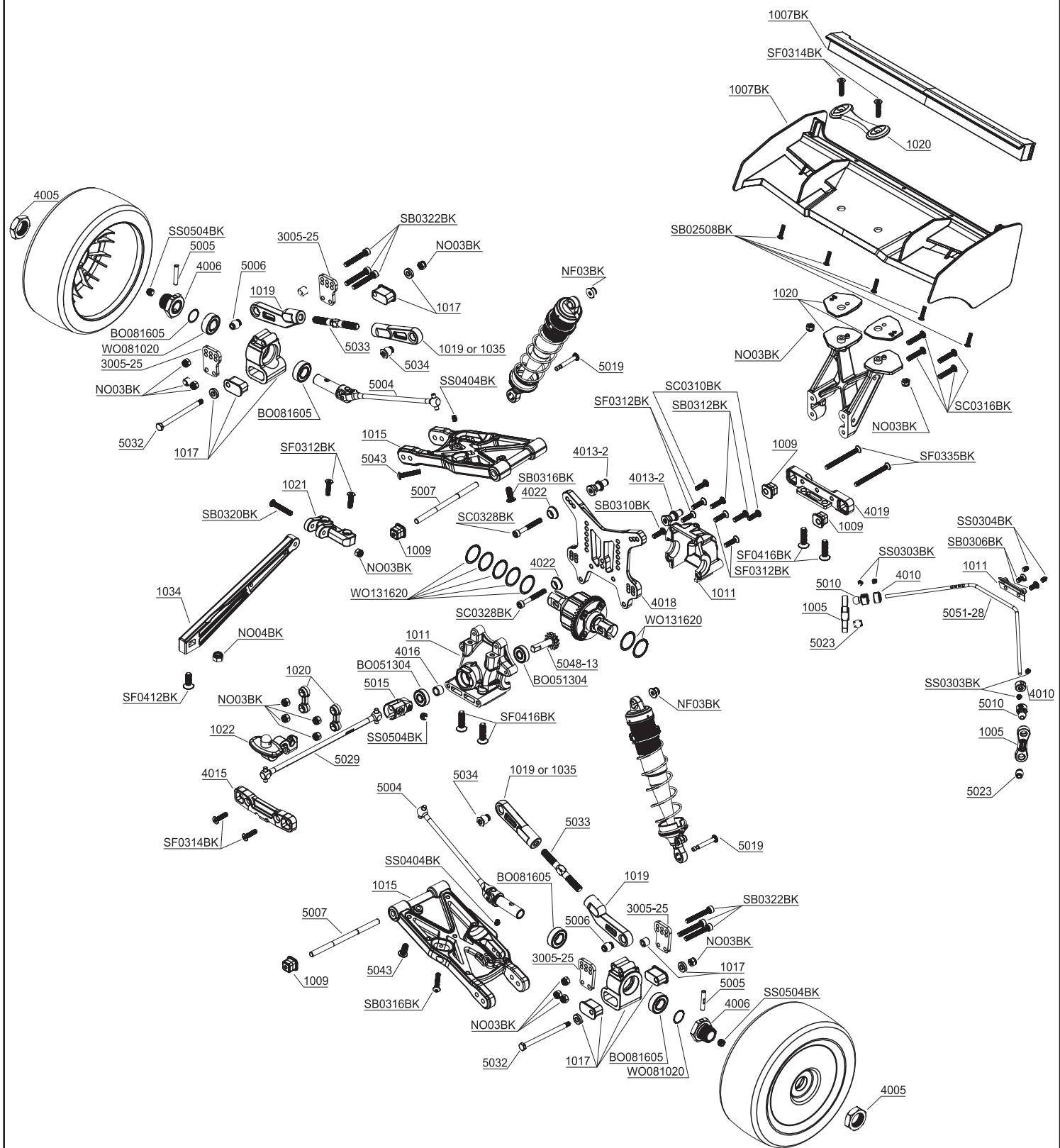


Notes

FRONT SUSPENSION



REAR SUSPENSION



PT No.	ITEM	PT No.	ITEM
F80001	SPARKO F8 1/8 NITRO BUGGY KIT	F83008-20OP	Carbon Rear Brace covers 2.0mm - 2pcs
F80002	Shock Set for Front (Not Assembled)(2pcs)	F83009-15OP	Carbon Wing Mount covers 1.5mm - 2pcs
F80003	Shock Set for Rear (Not Assembled)(2Pcs)	F83009-20OP	Carbon Wing Mount covers 2.0mm - 2pcs
F80004	Differential Set Center	F84001	7075Aluminum Steering Bellcrank
F80005	Differential Set F/R	F84002	7075Aluminum Steering Plate
F80006	Air Filter Set	F84003	Aluminum Servo Saver Post (Hard Anodizing)
F80007	Brake Linkage Set	F84004	Aluminum Servo Saver Nut with Screw Fixed
F80008	Cluth Set	F84005	Aluminum Wheel Nut(Hard Anodizing) (4pcs)
F80009	Front Sway Bar Set 2.0/2.3/2.5/2.8mm	F84006	Aluminum Wheel Hub Axle(L4.5mm)17mm(Hard Anodizing)(2pcs)
F80010	Rear Sway Bar Set 2.4/2.6/2.8/3.0mm	F84007	7075Aluminum Arm Mount A(Dark Blue)
F81001	Steering Bellcrank Set(with Servo Horn)	F84008	7075Aluminum Upper Link Mount (Dark Blue)
F81002	Front Lower Suspension Arms (Left & Right)	F84009	7075Aluminum Front Shock Tower (Dark Blue)
F81003	Fuel Tank Lid Puller / Splash Guard	F84010	Aluminum Adjuster Knob 8mm (4pcs)
F81004	Front Upper Suspension Arms Set x2	F84011	7075Aluminum Steering Block
F81005	Sway Bar Ball End Set (4pcs)	F84012	7075Aluminum Caster Block (Left & Right)(16°)
F81006	Front Body Mount	F84013-1	Shock Ball Stud Offset 1mm for Front (2pcs)
F81007BK	1/8 Wing-Black	F84013-2	Shock Ball Stud Offset 2mm for Rear (2pcs)
F81007WHOP	1/8 Wing-White	F84014	7075Aluminum Arm Mount B(Dark Blue)
F81007YLOP	1/8 Wing-Yellow	F84015	7075Aluminum Arm Mount C(Dark Blue)
F81008	Fuel Tank	F84016	Pinion Gear Stopper 5x7x5.1mm (4pcs)
F81009	Plastic Arm Holder Insert Set (2set)	F84017	7075Aluminum Chassis (Hard Anodizing)
F81010	Plastic steering Shim 1mm (4pcs)	F84018	7075Aluminum Rear Shock Tower (Dark Blue)
F81011	F/R Gearbox Set	F84019	7075Aluminum Arm Mount D(Dark Blue)
F81012	F/R Differential Case	F84020	7075Aluminum Engine Mount Set
F81013	Center Diff. Mount Set x2	F84021	Aluminum Clutch Shoes & 1.0mm Spring (3pcs)
F81014	Side Guards	F84022	Aluminum Shock Tower Washers (Titanium Color)
F81015	Rear Lower Suspension Arms (Left & Right)	F84023	7075Aluminum Shock Caps (2pcs)
F81017	Rear Hubs & Insert Set x2	F84024	7075Aluminum Shock Body Seal Retainer (2pcs)
F81018	Bearing Spacers (4pcs)	F84025	7075Aluminum Spring Collars (2pcs)
F81019	Rear Upper Arm Linkage Ball End Set x2	F84026	7075Aluminum Front Shock Body (Hard Anodizing)(2pcs)
F81020	Tall Wing Mount	F84027	7075Aluminum Rear Shock Body (Hard Anodizing)(2pcs)
F81021	Front Bumper (2pcs)	F84028	1/8 Scale Flywheel
F81022	Rear Body Mount	F84029OP	7075Aluminum Front Brace (Dark Blue)
F81023	Antenna Tube Set	F84030OP	7075Aluminum Rear Brace (Dark Blue)
F81024	Receiver Box	F84031OP	7075Aluminum Steering Blocker(Dark Blue)
F81025	Front Steering Linkage Ball End Set x2	F84032OP	7075Aluminum Caster Block (Left & Right)(20°)
F81026	Spring Cups & Shock Rod Ends Set x2	F84034OP	7075Aluminum Arm Mount D +2 (Dark Blue)
F81027	Shock Cap Bushings (4pcs)	F84035OP	7075Servo Horn Throttle (Dark Blue)
F81028	CNC Delrin Shock Cartridge Set x2	F84036OP	7075Servo Horn Steering (Dark Blue)
F81029	Big Bore Tapered Shock Piston 6x1.3mm (2pcs)	F84037OP	7075Center Diff. Mount
F81030	Big Bore Tapered Shock Piston 6x1.4mm (2pcs)	F85001	Body Clip
F81031	Buggy Body (Clear)	F85002	Sevro Saver Spring
F81032	Center Differential Case	F85003	Sevro Saver Shaft(2pcs)
F81033	Servo Horn Set	F85004	Universal Drive Shaft(92.5mm)
F81034	Chassis Brace Set	F85005	Pin M3.0x16.8mm (4pcs)
F81035	Rear Upper Arm Linkage Ball End Short x 4	F85006	Rear Upper Arm Ball Stud(4pcs)
F82001	Differential O-Rings (6pcs)	F85007	Lower Arm Hinge Pin(70mm)(2pcs)
F82002	Shock Bladder (2pcs)	F85008	Upper Arm Hinge Pin(43mm)(2pcs)
F82003	Shock seal O-Rings (4pcs)	F85009	Upper Arm Adjustment Screw(2pcs)
F82004	Shock Spring Adjust Nut O-Ring (4pcs)	F85010	Sway Bar Ball Stud(4pcs)
F82005	Shock Boots Front (4pcs)	F85011OP	Steel Shock Ball Stud 0 Offset for Front/Rear (2pcs)
F82006	Shock Boots Rear (4pcs)	F85012	Hard Front Lower Suspension Shaft Screw (2pcs)
F82007OP	Dustproof Bush for Receiver Box Set x2	F85013	Spindle Carrier Hinge Insert (4pcs)
F83001-30	Carbon Fiber Steering Knuckle Plate(R=L) 3.0mm (2pcs)	F85014	Spindle Carrier Hinge Pins (4pcs)
F83002-15	Carbon Fiber Front Upper Arm Inserts (R=L) 1.5mm (4pcs)	F85015	Differential Outdrive (2pcs)
F83002-20OP	Carbon Fiber Front Upper Arm Inserts (R=L) 2.0mm (4pcs)	F85016	Center Differential Outdrives (2pcs)
F83003-30	Carbon Fiber Front Top Plate 3.0mm	F85017	Front/Rear Differential Outdrives (2pcs)
F83004-25	Carbon Fiber Center Diff. Plate 2.5mm	F85018	Internal Differential Gear Set (4+2pcs)
F83005-25	Carbon Rear Hub Link 2.5mm (4pcs)	F85019	Shock Pins (4)
F83006-15OP	Carbon Front Arm covers 1.5mm - 2pcs	F85020	Differential Cross Pins (6pcs)
F83006-20OP	Carbon Front Arm covers 2.0mm - 2pcs	F85021	Pin M2.2x9.8mm (4pcs)
F83007-15OP	Carbon Rear Arm covers 1.5mm - 2pcs	F85022	Sevro Steering Turnbuckle M3x30mm (2pcs)
F83007-20OP	Carbon Rear Arm covers 2.0mm - 2pcs	F85023	Shock Ball Stud 6xL6.7mm (4pcs)
F83008-15OP	Carbon Rear Brace covers 1.5mm - 2pcs	F85024	Brake Pad Set (4pcs)

PT No.	ITEM
F85025	Brake Pad Spring(4pcs)
F85026	Brake Lever (2pcs)
F85027	Brake Cam Set
F85028	Brake Rotor Set (2pcs)
F85029	Center Rear Dogbone 115mm
F85030	Center Rear Dogbone 88mm
F85032	Rear Outter Hinge Pins (2pcs)
F85033	Camber Turnbuckle 5x45mm (2pcs)
F85034	Rear Upper Arm Ball Stud 7.0mm Hex (4pcs)
F85035-13	Clutch Bell (13T)
F85036	Exhaust Wire Mount Set
F85037	Steering Turnbuckle M4x40mm (2pcs)
F85038	Steering Turnbuckle Ball Set (4pcs)
F85040	Front Shock Shaft (2pcs)
F85041	Rear Shock Shaft (2pcs)
F85042	Hex Shanked Button M3x13.7mm (4pcs)
F85043	Down Stop Screw M4x10mm(4pcs)
F85044	1/8 Scale Flywheel Nut
F85045	I-Head Screw Thin M4x8mm (10pcs)
F85046-46	Center Gear 46T with Differential Seal
F85047-43	Crown Gear 43T with Differential Seal
F85048-13	Pinion Gear13T
F85049-10	Clutch Spring 1.0mm (3pcs)
F85050-20OP	Front Sway Bar 2.0mm
F85050-23	Front Sway Bar 2.3mm
F85050-25	Front Sway Bar 2.5mm
F85050-28OP	Front Sway Bar 2.8mm
F85051-24OP	Rear Sway Bar 2.4mm
F85051-26	Rear Sway Bar 2.6mm
F85051-28	Rear Sway Bar 2.8mm
F85051-30OP	Rear Sway Bar 3.0mm
F85052-H62	Shock Spring for Front Hard L=62mm(2pcs)
F85052-M62OP	Shock Spring for Front Medium L=62mm(2pcs)
F85052-S62OP	Shock Spring for Front Soft L=62mm(2pcs)
F85053-H80OP	Shock Spring for Rear Hard L=80mm (2pcs)
F85053-M80	Shock Spring for Rear Medium L=80mm (2pcs)
F85053-S80OP	Shock Spring for Rear Soft L=80mm (2pcs)
F89001	Servo Spring Dusty Protect Sponge(2pcs)
F89002	Differential Seals Set (2+1pcs)
F89003	Air Filter Foam (9pcs)
F89004-BK	Body Sticker-Black and White
F89004-PKOP	Body Sticker-Pink for Optional
F89004-OGOP	Body Sticker-Orange for Optional
F89004-YLOP	Body Sticker-Yellow for Optional
F89005-BK	Wing Sticker-Black and White
F89005-PKOP	Wing Sticker-Pink for Optional
F89005-OGOP	Wing Sticker-Orange for Optional
F89005-YGOP	Wing Sticker-Yellow for Optional
F89006	Body Shell Window Masks
F89007	SPARKO F8 1/8 Buggy User Manual

PT No.	ITEM
BF030625	Flange Ball Bearing 3x6x2.5mm (4pcs)
BO050825	Ball Bearing 5x8x2.5mm (4pcs)
BO051004	Ball Bearing 5x10x4mm (4pcs)
BO051304	Ball Bearing 5x13x4mm (4pcs)
BO061003	Ball Bearing 6x10x3mm (4pcs)
BO081605	Ball Bearing 8x16x5mm (4pcs)
NF03BK	Flanged Locknut M3 (10pcs)
NO025SL	Nut Lock M2.5mm (10pcs)
NO03BK	Nut Lock M3 (10pcs)
NO04BK	Nut Lock M4 (10pcs)
SB02505BK	Ball Screw M2.5x5mm (10pcs)
SB02508BK	Ball Screw M2.5x8mm (10pcs)
SB0305BK	Ball+I16 Screw M2.5x8+F15:M15mm (10pcs)
SB0306BK	Ball Screw M3x6mm (10pcs)
SB0308BK	Ball Screw M3x8mm (10pcs)
SB0310BK	Ball Screw M3x10mm (10pcs)
SB0312BK	Ball Screw M3x12mm (10pcs)
SB0314BK	Ball Screw M3x14mm (10pcs)
SB0315BK	Ball Screw M3x15mm (10pcs)
SB0316BK	Ball Screw M3x16mm (10pcs)
SB0320BK	Ball Screw M3x20mm (10pcs)
SB0323BK	Ball Screw M3x23mm (10pcs)
SB0325BK	Ball Screw M3x25mm (10pcs)
SC0206BK	Cap Screw M2x6mm (10pcs)
SC03012BK	Cap Screw M3x12mm(10pcs)
SC0308BK	Cap Screw M3x8mm (10pcs)
SC0310BK	Cap Screw M3x10mm (10pcs)
SC0312BK	Cap Screw M3x12mm (10pcs)
SC0316BK	Cap Screw M3x16mm (10pcs)
SC0322BK	Cap Screw M3x22mm (10pcs)
SC0323BK	Cap Screw M3x23mm (10pcs)
SC0325BK	Cap Screw M3x25mm (10pcs)
SC0328BK	Cap Screw M3x28mm (10pcs)
SF02046BK	Flat Screw M2.0x4.6mm 1.5 Hex (10pcs)
SF0306BK	Flat Screw M3x6mm (10pcs)
SF0308BK	Flat Screw M3x8mm (10pcs)
SF0310BK	Flat Screw M3x10mm (10pcs)
SF0312BK	Flat Screw M3x12mm (10pcs)
SF0314BK	Flat Screw M3x14mm (10pcs)
SF0335BK	Flat Screw M3x35mm (10pcs)
SF0408BK	Flat Screw M4x8mm (10pcs)
SF0410BK	Flat Screw M4x10mm (10pcs)
SF0414BK	Flat Screw M4x14mm (10pcs)
SF0416BK	Flat Screw M4x16mm (10pcs)
SS0303BK	Set Screw M3x3mm Set (10pcs)
SS0304BK	Set Screw M3x4mm Set (10pcs)
SS0404BK	Set Screw M4x4mm Set (10pcs)
SS0504BK	Set Screw M5x4mm Set (10pcs)
WO0260660	Shock Piston Washer 2.6x6x0.6mm (10pcs)
WO030801	Shim 3x8x1mm (10pcs)
WO030510	Shim 3x5x0.1mm (10pcs)
WO0351020	Differential Shim 3.5x10x0.2mm (12pcs)
WO050840	Shim 5x8xT0.4mm (10pcs)
WO050880	Shim 5x8xT0.8mm Shim (10pcs)
WO051230	Differential Shim 5x12x0.3mm (6pcs)
WO060830	Shim 6x8x0.3mm (10pcs)
WO081020	Hex Shim 8x10x0.2mm (10pcs)
WO131620	Differential Shim 13x16x0.2mm (10pcs)
WS0305510	Spring Washer M3x5.5x1mm(10pcs)

SPARKO

FORMULA EIGHT



SPARKO
WWW.SPARKORACING.COM